



smart eco

Original – User manual Art.-no. 4000543 and 4000545

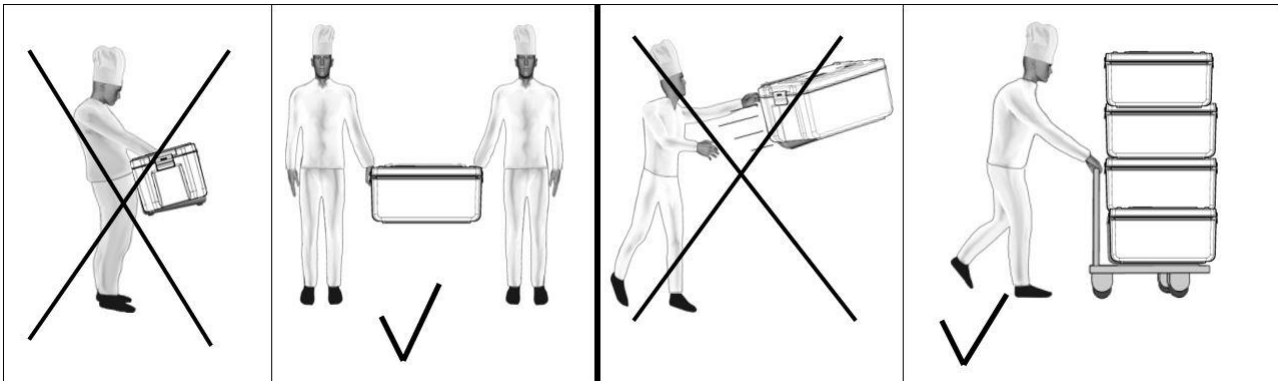


Food transport boxes for the transportation of food in warm or cold condition

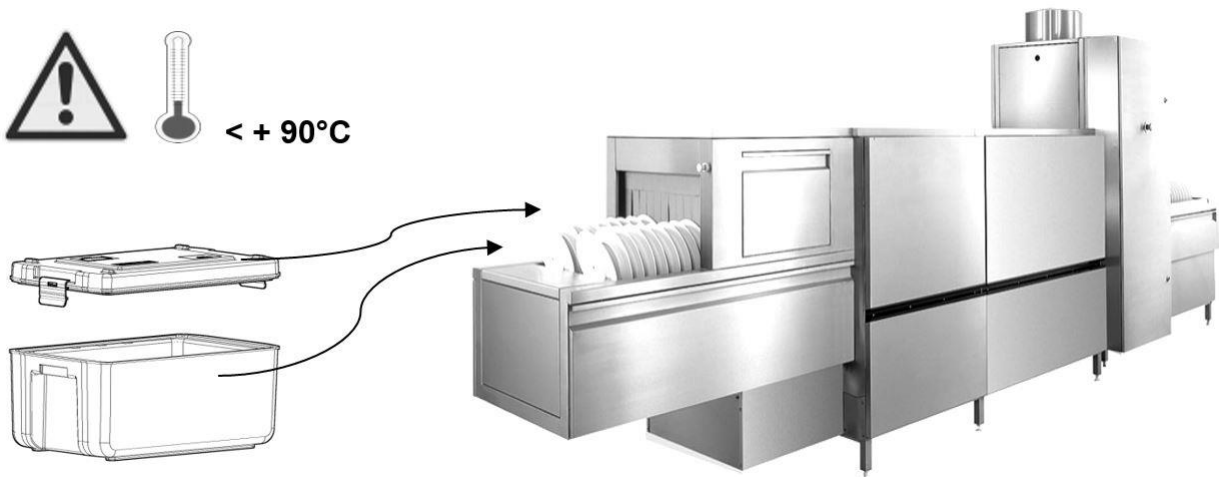
- Use and explanation

	 - 20°C to + 90°C
	 GN 1/1, 200mm

• **Transportation**



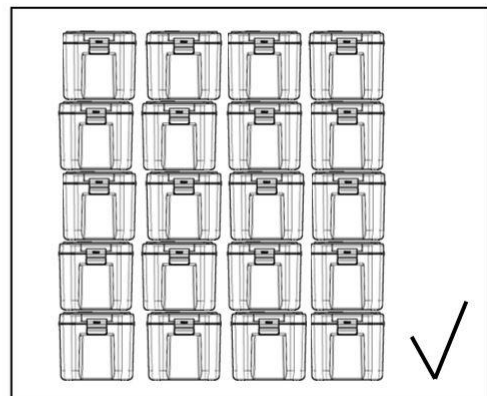
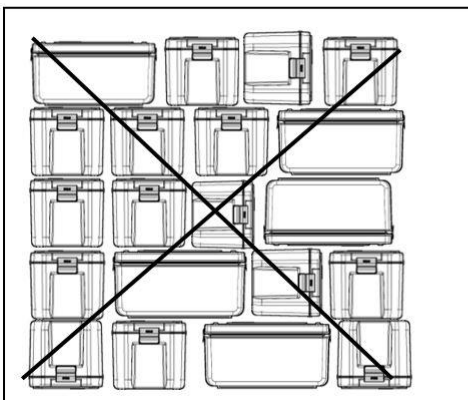
• **Cleaning**



For cleaning we recommend the use of etolit 3000 or 8000. Please avoid the use of high-pressure cleaners if the working temperature exceeds +120°C.

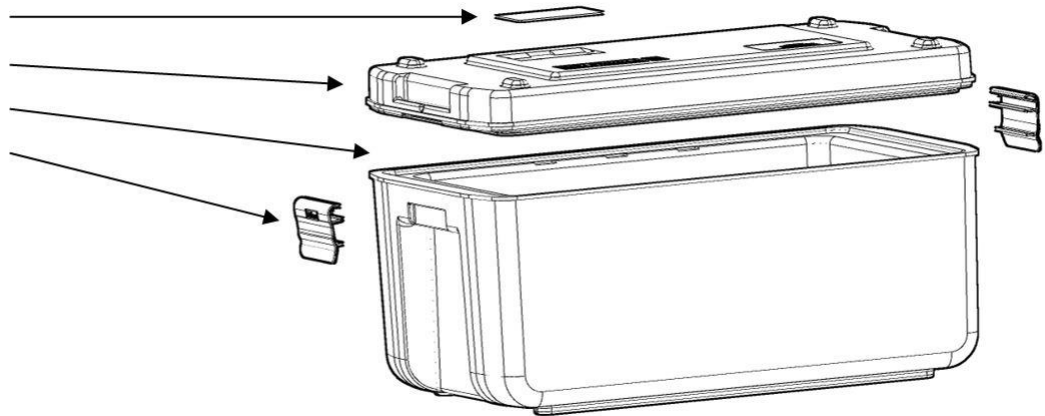
• **Storage**

The food transport boxes must be correctly stacked on top of each other and must be kept in clean, dry rooms. Please **ONLY** stack 5 food transport boxes on top of each other.



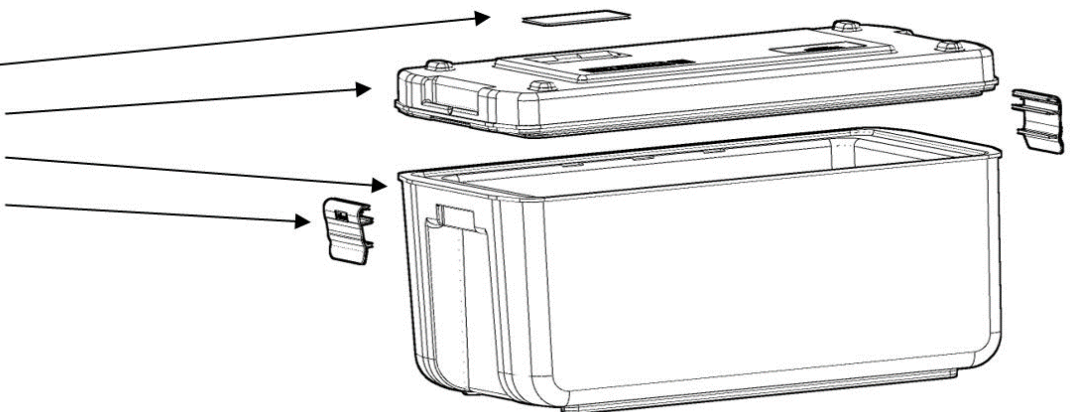
- **Spare parts for Art.-no. 4000543**
- pure orange -

1 x 664100272
1 x 664202146
1 x 664202155
2 x 8002266

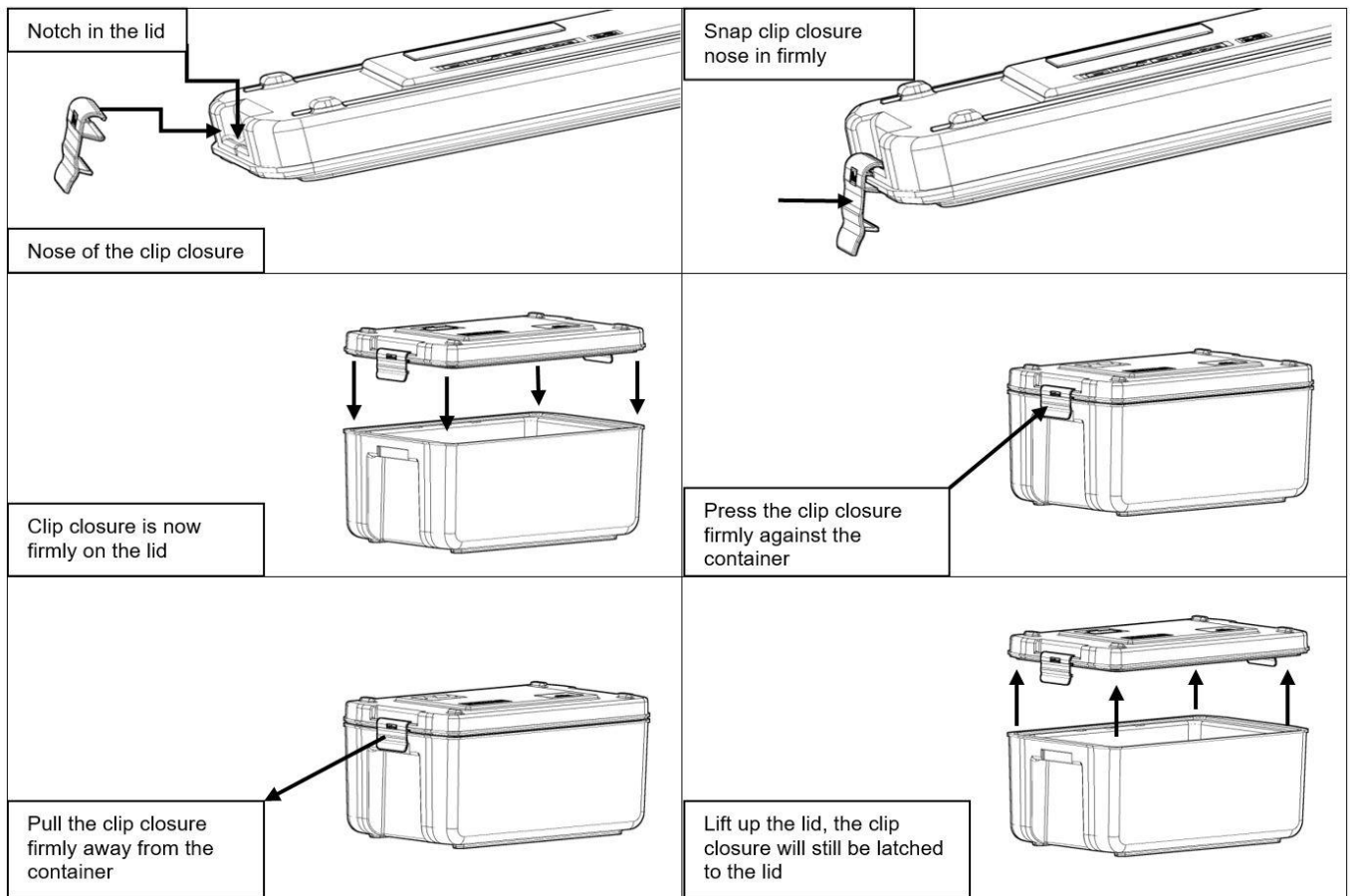


- **Spare parts for Art.-no. 4000545**
- grey -

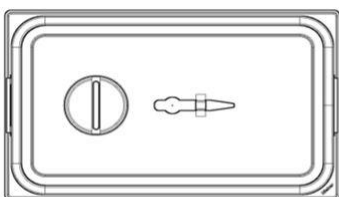
1 x 664100272
1 x 664202188
1 x 664202191
2 x 8002232



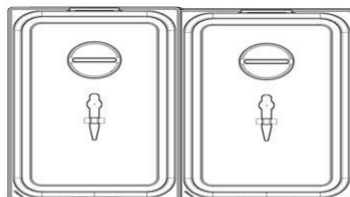
• **Assembly and disassembly of clip closure Art.-no. 8002266**



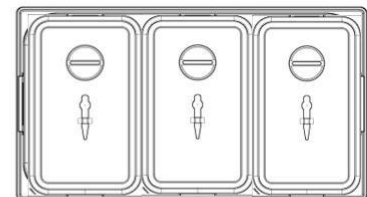
• **Equipping examples**



GN 1/1, 200mm



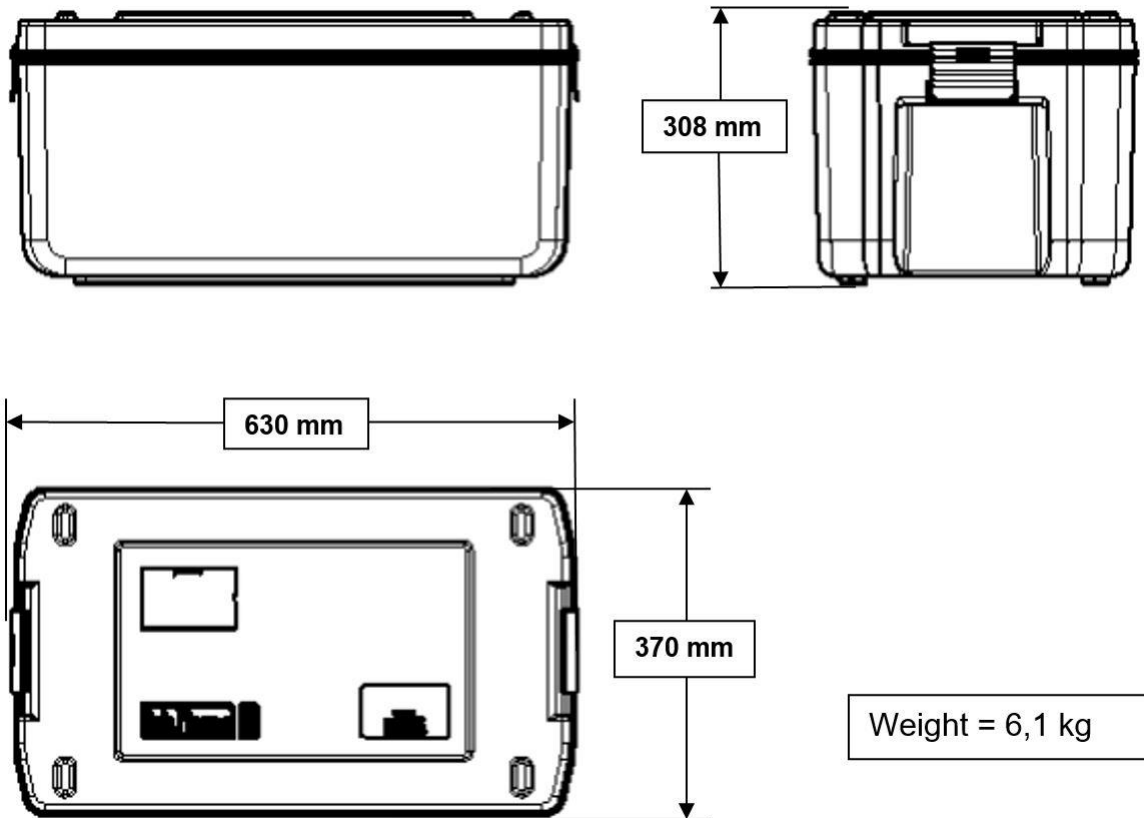
GN 1/2, 200mm



GN 1/3, 200mm

- **Technical data**

Main dimensions and weights



- **Producer**



etol Eberhard Tripp GmbH • Allerheiligenstraße 12 • 77728 Oppenau • Germany
T. + 49 (0) 7804 410 www.bluline.de - info.bluline@etol.de

- **Notes**

Powerful products for commercial kitchens.
www.etol.de



etol Eberhard Tripp GmbH • Allerheiligenstraße 12 • 77728 Oppenau • Germany
T. +49 (0)7804 410 • www.bluline.de • info.bluline@etol.de