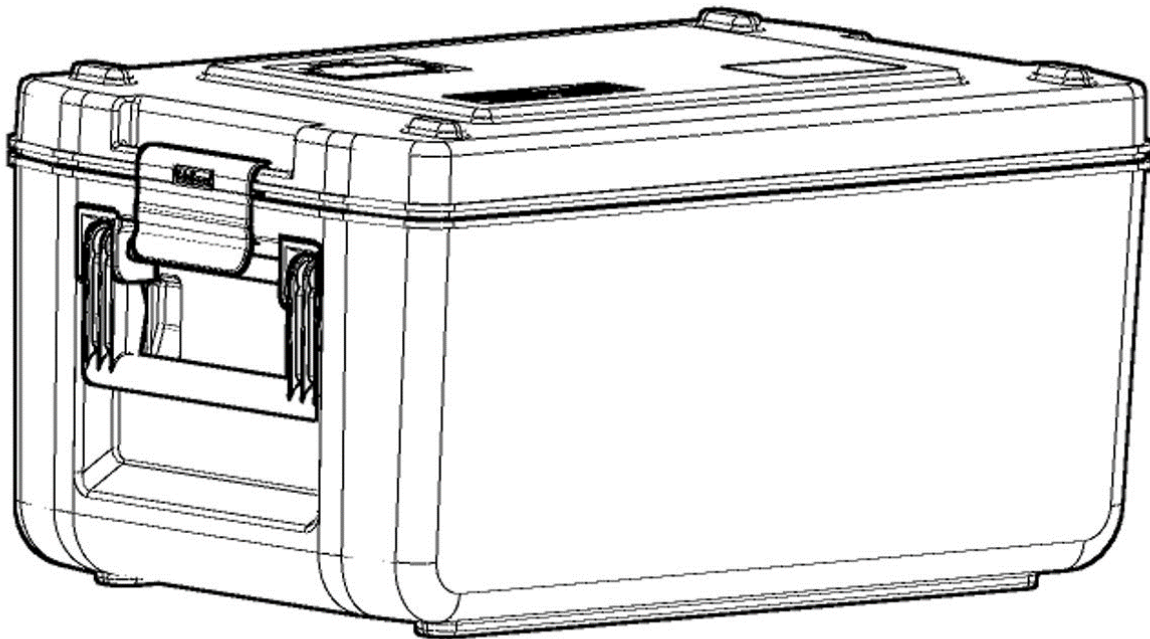


blu'box 26

smart standard

Original – User manual Art.-no. 4000539 and 4000546

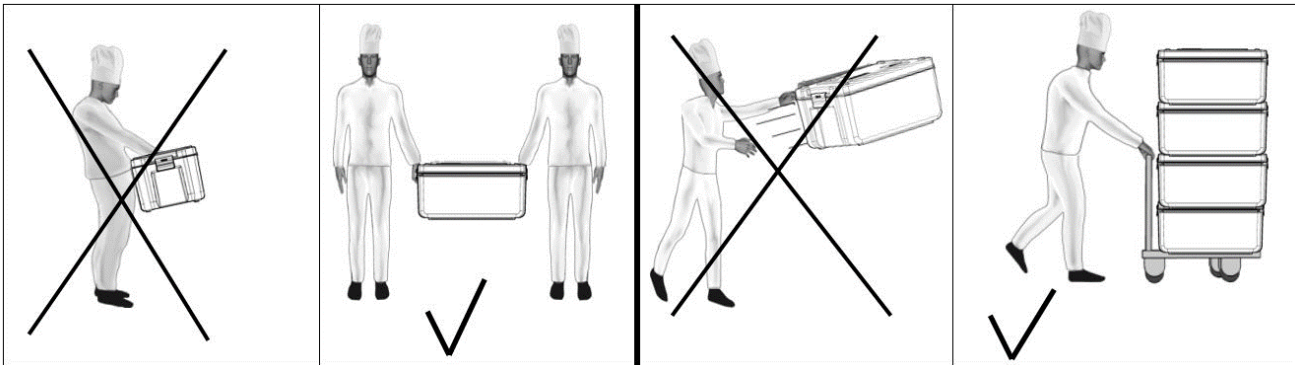


Food transport boxes for the transportation of food in warm and cold condition.

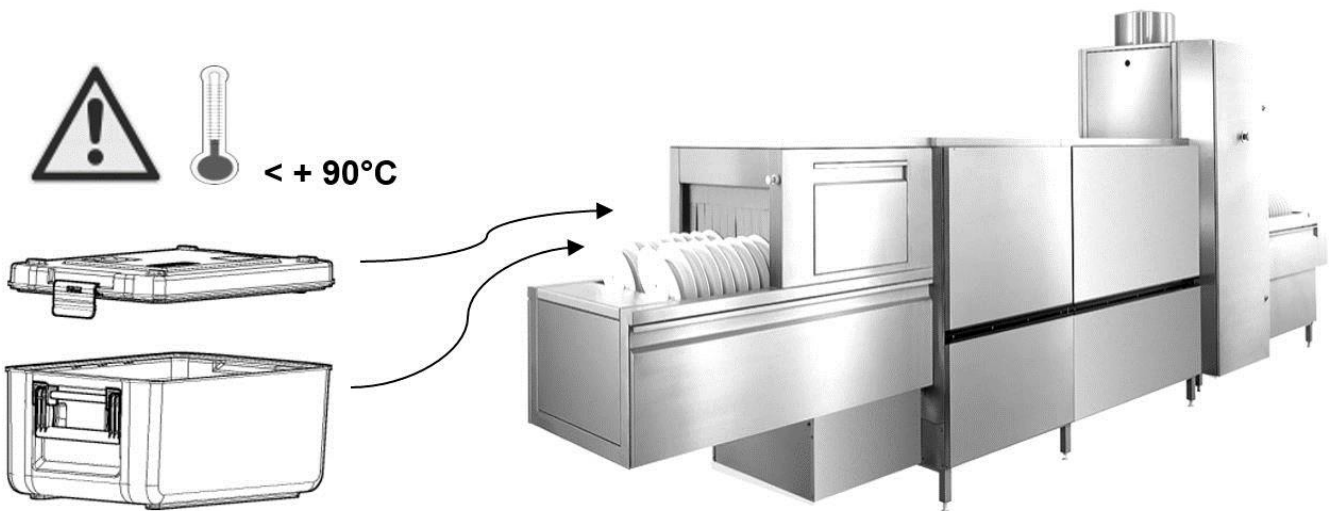
- Use and explanation

	 <p>- 20°C to + 90°C</p>
	<p>GN1/1, 200mm</p>

- **Transportation**



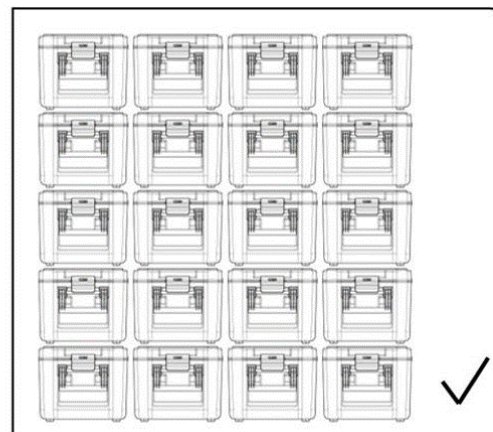
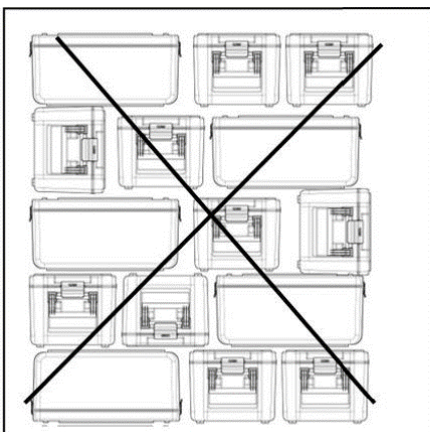
- **Cleaning**



For cleaning we recommend the use of etolit 3000 or 8000.
Please avoid the use of high-pressure cleaners if the working temperature exceeds +120°C.

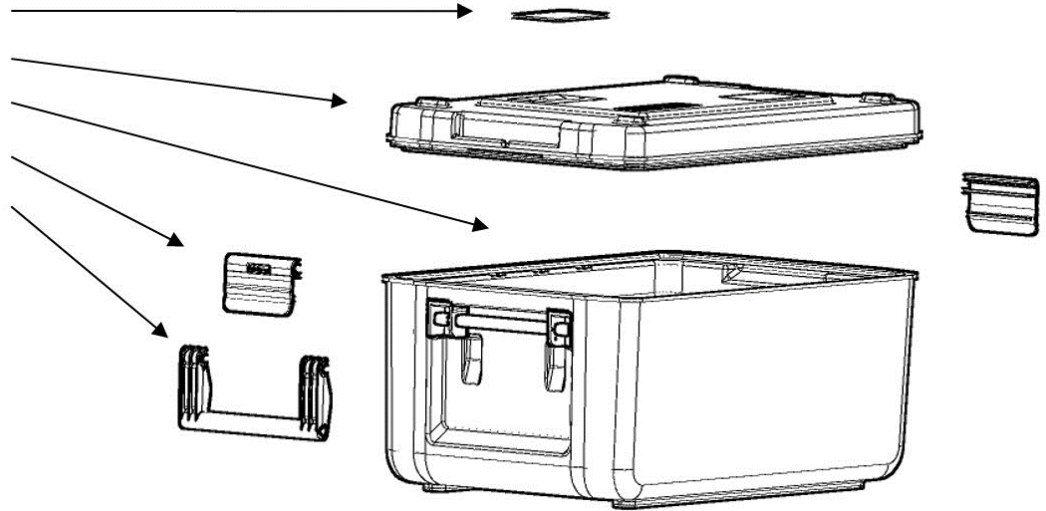
- **Storage**

The food transport boxes must be correctly stacked on top of each other and must be kept in clean, dry rooms. Please **ONLY** stack **5** food transport boxes on top of each other.



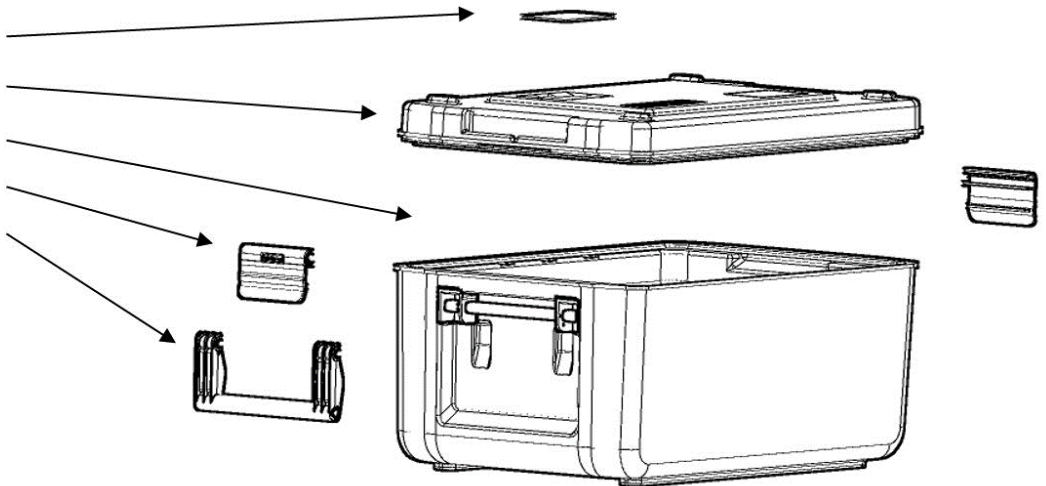
• Spare parts for Art.-no. 4000539 – pure orange

1 x	664100272
1 x	664202146
1 x	664202142
2 x	8002266
2 x	8002258

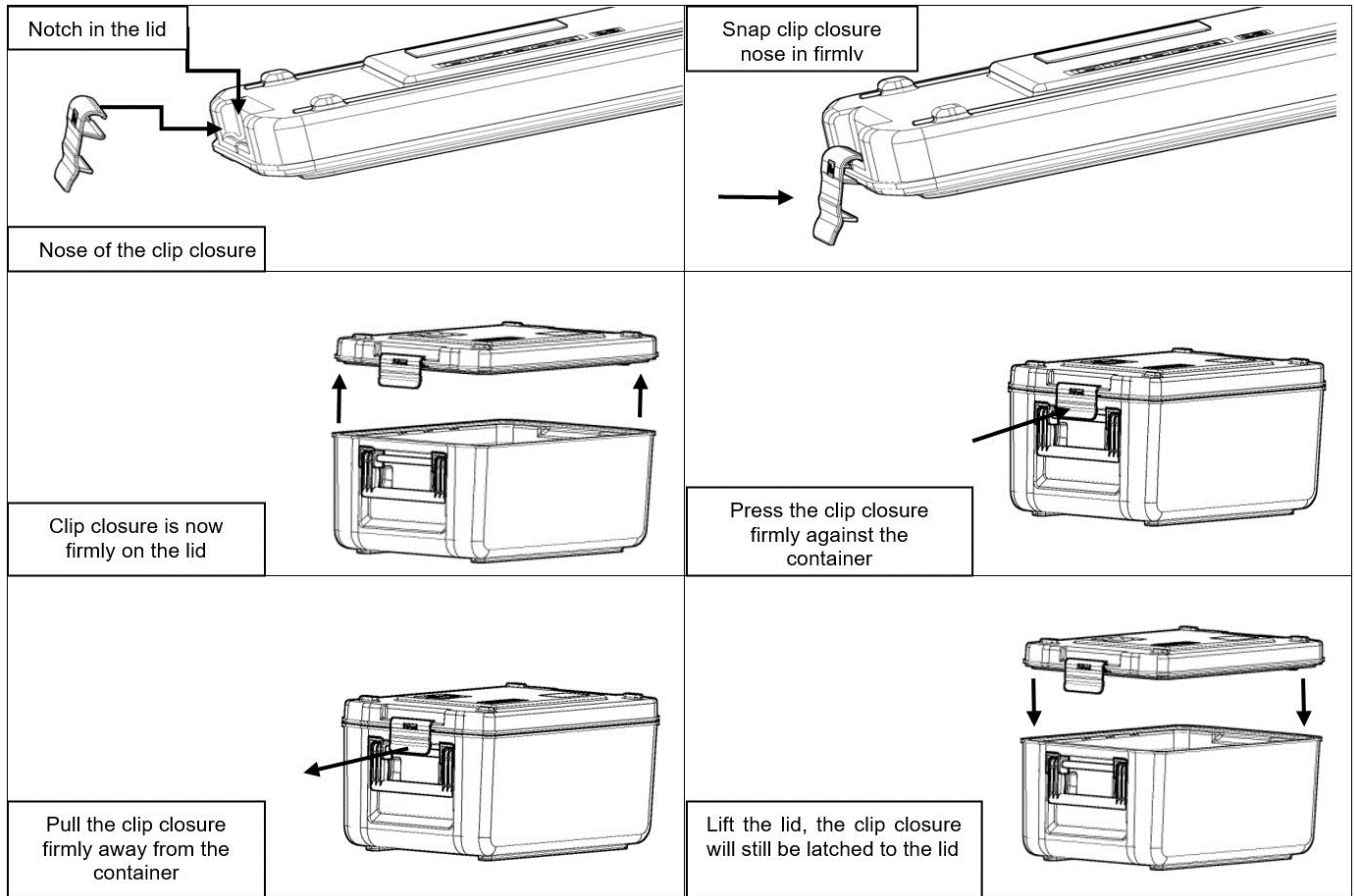


• Spare parts for Art.-no. 4000546 - grey

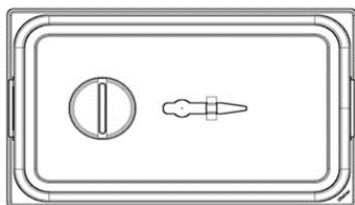
1 x	664100272
1 x	664202188
1 x	664202184
2 x	8002232
2 x	8002231



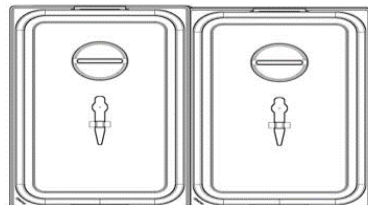
• **Assembly and disassembly of clip closure Art.-no. 8002266 and Art.-no. 8002232**



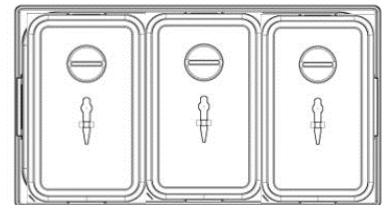
• **Equipping examples**



GN 1/1, 200mm

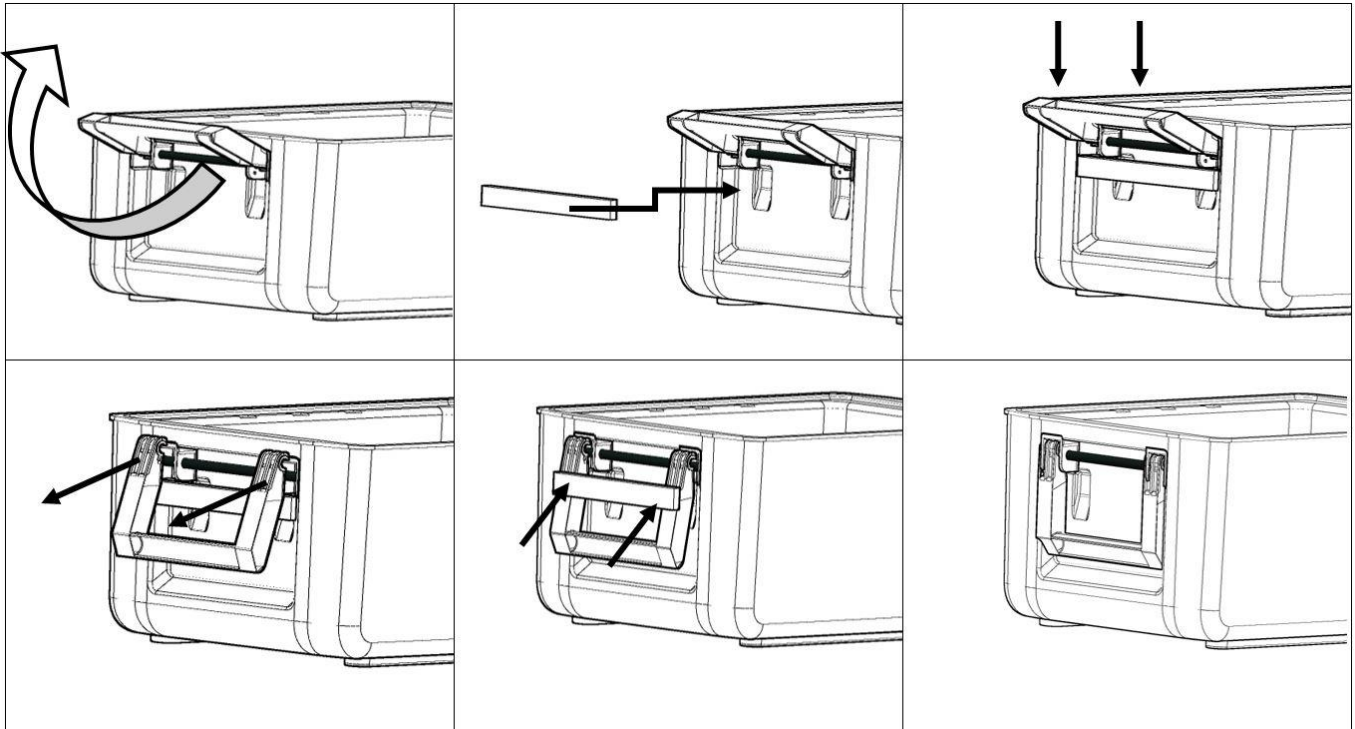


GN 1/2, 200mm



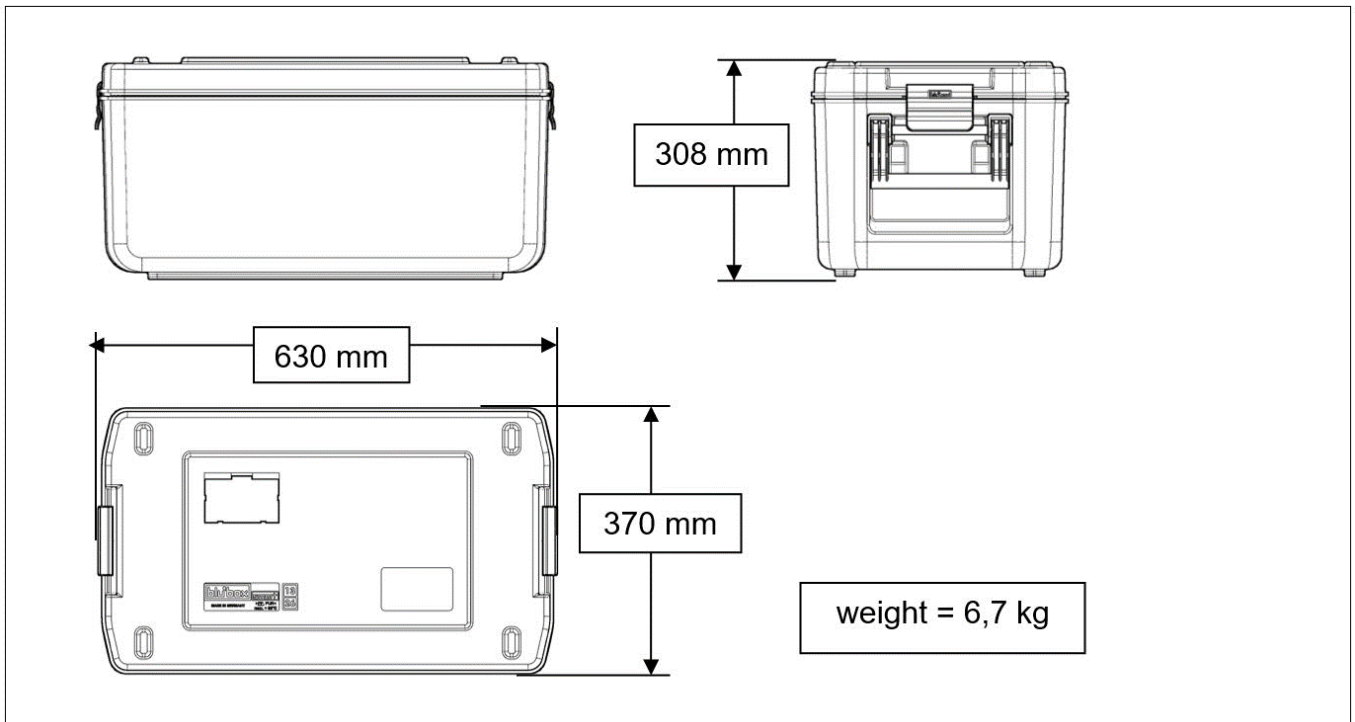
GN 1/3, 200mm

- Disassembly and assembly of the handles Art.-no. 8002258 and Art.-no. 8002231



- Technical Data**

Main dimensions and weights



- **Producer**



etol Eberhard Tripp GmbH • Allerheiligenstraße 12 • 77728 Oppenau • Germany
T. +49 (0) 7804 410 www.bluline.de - info.bluline@etol.de

- **Notes**

Powerful products for commercial kitchens.
www.etol.de



etol Eberhard Tripp GmbH • Allerheiligenstraße 12 • 77728 Oppenau • Germany
T. +49 (0)7804 410 • www.bluline.de • info.bluline@etol.de