

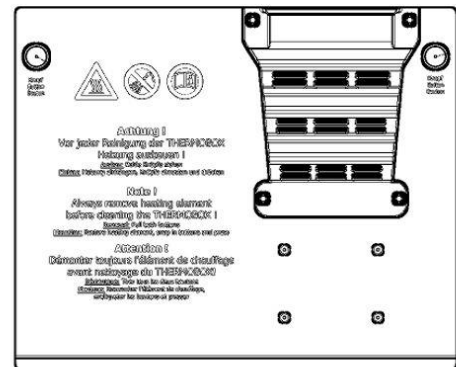
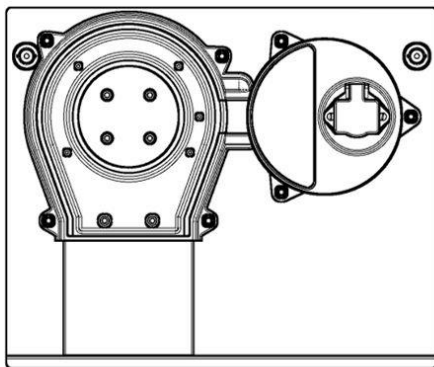


Frontloader blu'box 52 gn hot <sup>2</sup>  
 Frontloader blu'box 52 gn/en hot <sup>2</sup>

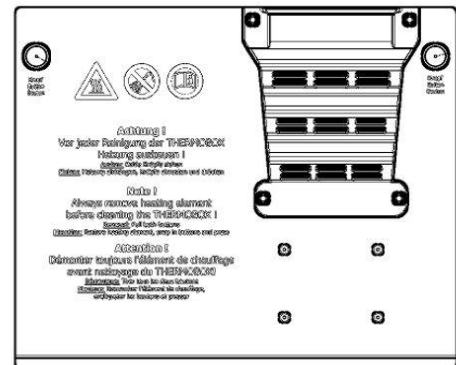
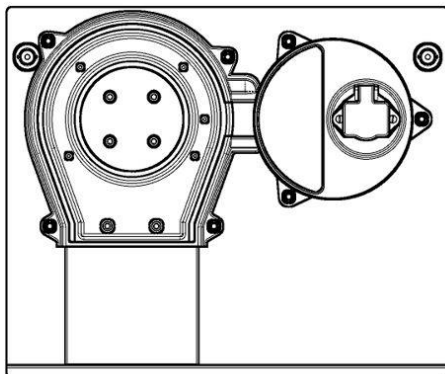
Original – User manual

- A. Controllable heating element Art.-no. 8003130
- B. Self-regulating heating element Art.-no. 8003185

A. Heating element H – HC R 0052 Art.-no. 8003130



B. Heating element H – HC L 0052 lite Art.-no. 8003185

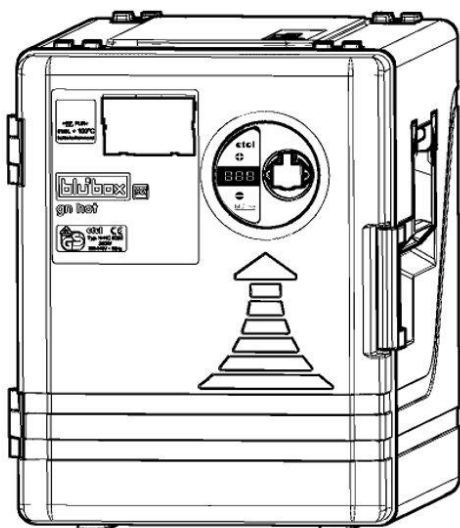


Food transport boxes for the transportation of meals in cold condition.

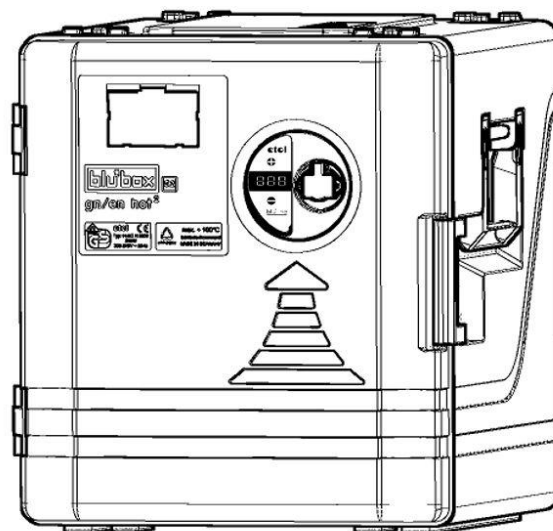
Actively heated by a built-in door, easy-to-remove heating element.

This user manual includes the use of the controllable (A) and self-regulating (B) heating element for

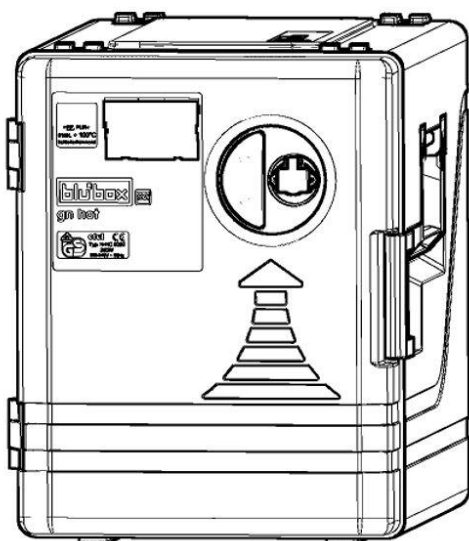
A. blu'box 52 gn hot<sup>2</sup> Art.-no. 4000663



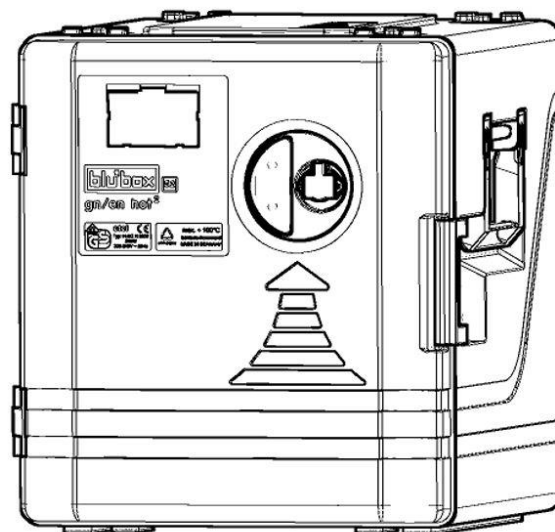
A. blu'box 52 gn / en hot<sup>2</sup> Art.-no. 4000664



B. blu'box 52 gn hot<sup>2</sup> lite Art.-no. 4000679



B. blu'box 52 gn / en hot<sup>2</sup> lite Art.-no.4000680



## Index

### 1 General

- 1.1 Symbol explanation
- 1.2 Warranty conditions
- 1.3 Technical changes

### 2 Safety instructions

- 2.1 General safety instructions
- 2.2 Proper use of the food transport box
- 2.3 Improper use of the food transport box
- 2.4 Operation of the heating element
- 2.5 Transportation and proper placement
- 2.6 Staff

### 3 Handling

- 3.1 Before using
- 3.2 Before connecting
- 3.3 Connecting / Switching on food transport box
- 3.4 Start up / Equipping
- 3.5 Opening and closing the door
- 3.6 Equipping with food
- 3.7 Transportation
- 3.8 Storage
- 3.9 Removal of the GN-container / Food distribution
- 3.10 After use
- 3.11 Cleansing / Maintenance

### 4 Assembly / Disassembly

- 4.1 Exchange Handles Art.-no. 8001621
- 4.2 Exchange Clip closure Art.-no. 8001627
- 4.3 Exchange Door Art.-no. 664202518
- 4.4 Heating elements Art.-no. 8003130

### 5 List of parts / Spare parts

### 6 Technical data

### 7 Maintenance / Repairs

### 8 Declaration of conformity

## 1 General








Read the operating instructions before use and pay attention to them. Should you have any reasons for justified complaints within the warranty period, it will be corrected free of charge. With the proof of purchase which shows the date of the purchase, the warranty can be asserted.



Damages in transit have to be claimed to the forwarder at once and have to be confirmed on the shipping document.

This user manual also can be downloaded from the bluline download area at [www.etol.de/bluline](http://www.etol.de/bluline).

### 1.1 Symbol explanation

	Reference / Attention
	Danger from electric strike
	Danger from hot surface
	Observe user manual
	Do not spray water on it

## A. Type label - controllable heating element

Producer: etol Eberhard Tripp GmbH  
Allerheiligenstrasse 12  
D-77728 Oppenau




Production date: FD MM - 20JJ

Article no.: H - HC R 0052  
Art.Nr. 8003130

500 W  
220-240V  
~50 Hz

Made in Germany IPX4

Serial no.: \* B S 0 0 0 0 0 0 0 0 1 \*

## B. Type label - self-regulating heating element

Producer: etol Eberhard Tripp GmbH  
Allerheiligenstrasse 12  
D-77728 Oppenau

Production date: FD MM - 20JJ

Article no.: H - HC L 0052  
Art.Nr. 8003185

500 W  
220-240V  
~50 Hz

Made in Germany IPX4

Serial no.: \* B L 0 0 0 0 0 0 0 0 1 \*

**CE – The food transport box matches with the regulations of the european laws (see in declaration of conformity).**

### 1.2 Warranty conditions

The statutory warranty periods apply.

### 1.3 Technical changes

We reserve the right of changes in the interest of technical progress.

## 2 Safety instructions



### 2.1 General safety instructions

The food transport box is **ONLY** used for keeping food warm and for the transport of already made food in hot condition. The door of the food transport box with a heating element is used for actively heating before and after transport.  
Keep children away from the food transport box.

### 2.2 Proper use of the food transport box

Only use the food transport box for:

- In combination with suitable GN-containers. These must be closed with a press-in lid before transportation.
- To keep food hot.

### 2.3 Improper use of the food transport box

**NOT** intended use:

- Transportation with the door open
- Transportation while heating element is attached to a power source
- As a heating unit
- To cook food
- To heat up cold food
- Cleaning the heating element with water or high-pressure cleaners
- Keeping food with large quantities of alcohol warm
- Heating or keeping things other than food warm
- Using it as a climbing aid or placing down objects
- Transporting food without recommended GN-container
- Improper handling (throwing the containers, the heating elements or the doors) can lead to extensive damage.

The manufacturer / supplier is **NOT** liable for damage resulting from any of the above.

### 2.4 Operation of the heating element

Only operate the heating element in connection with:

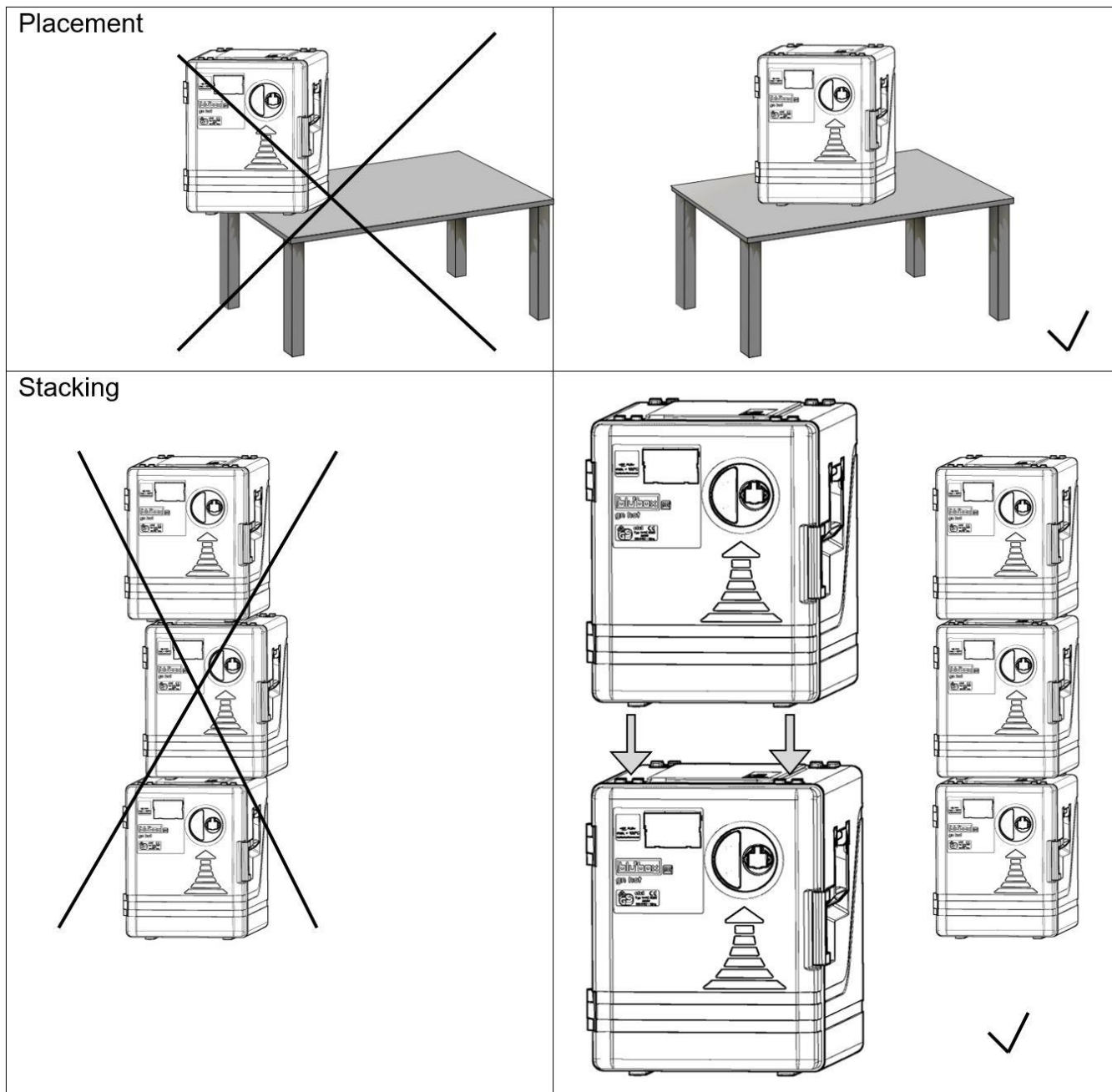
- In combination with the designated food transport boxes blu'box 52 gn hot <sup>2</sup> , blu' box 52 gn /en hot <sup>2</sup> , blu'box 52 gn hot<sup>2</sup> lite and blu' box 52 gn /en hot <sup>2</sup> lite
- Before and after the transportation of the food transport box.
- in closed rooms or under rain protected, dry shelters but **ONLY** if you can guarantee that the electrical connections are kept dry

## 2.5 Transportation and proper placement

**ONLY** move the food transport box with help of the carrying handles.

Secure the food transport box before placing and using the heating system by using the following steps:

- Setting up a dry, stable, even, non-slipping surface (e.g. table).
- Ensure free access (remove possible obstacles)
- Place the food transport box so it can not fall over
- **ONLY** use with technically perfect socket strips
- Secure the power cord and the socket strip against slipping and falling
- Stack the food transport containers properly with the stacking stops on the bottom in the fixing corners - Top



## 2.6 Staff

- The food transport boxes are **ONLY** supposed to be used by people that are physically and mentally able to operate them and have been sufficiently trained.
- The devices are **NOT** meant to be used by people (including children) with limited physical, sensory or mental abilities or lack of experience and / or lack of knowledge. Unless they are supervised by a person responsible for their safety or receive instructions on how to use the device.



The food transport box is **ONLY** allowed to be used in a perfect condition. Defective heating elements are **NOT** allowed to be used, please notify the supplier if so.

## 3 Handling

### 3.1 Before using

Thoroughly clean the container before use (short-term thermal disinfection is possible up to + 130 ° C). The food transport box is fully dishwasher-safe **WITHOUT** the heating element. Only use suitable cleaning agents such as ETOLIT 3000 and 8000 and commercially available cleaning agents. The heating system can be cleaned with a soft damp cleaning cloth.

### 3.2 Before connecting

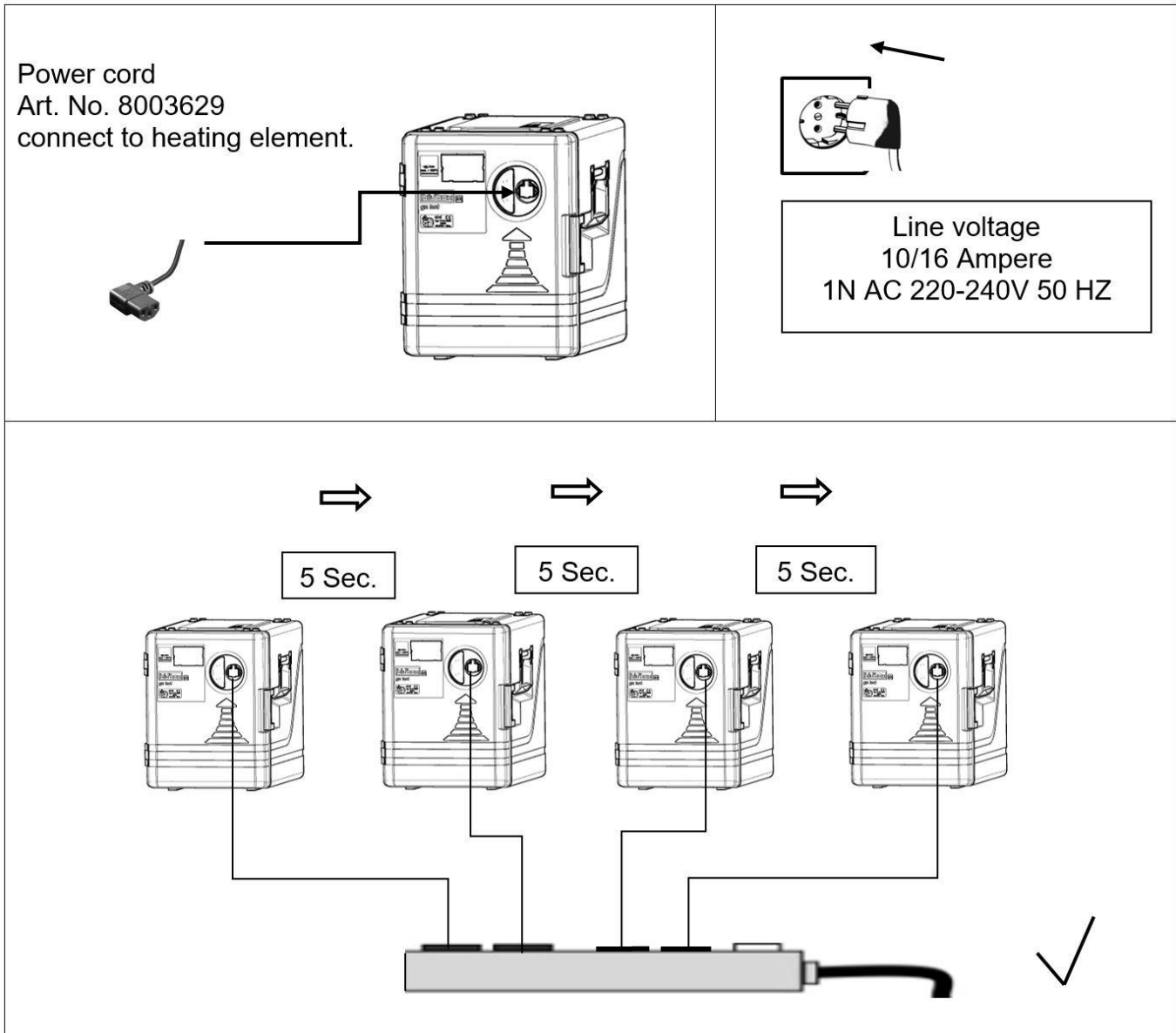


The connection values must match those on the label. Ensure a good connection to the power supply system. Do not use an extension cord in wet rooms. **ONLY** use sockets in wet areas at 1m height. **DO NOT** use outdoors.



### 3.3 Connecting / Switching on food transport box

- Make sure the heating element is firmly attached.
- Place the food transport box in a suitable position (see safety instructions).
- Connect the power cord Art.-no. 8003629 to the heating element.
- Now connect the power cord to the power source.
- There must be a type H05RN-F3G1,0<sup>2</sup> connecting line used or an equivalent line.



### A. Basic functional requirement:

H – HC R 0052 Art.-no. 8003130

→ New functionality of the heating elements are available for all heaters beginning with serial number BS00000280

Possible adjustable setpoint temperature: + 20 ° C to + 85 ° C.

During adjustment, 3 dots are lit at the bottom of the display screen.

If a setpoint temperature is set below + 20 ° C, the display shows the symbol "OFF".

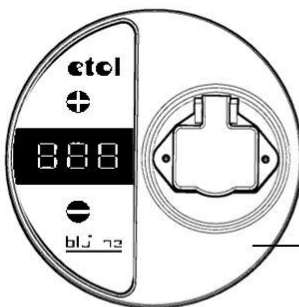
In this mode, only the fan is operated and the indoor air is circulated.

(Heater is out of operation).

The displayed temperature (3 dots at the bottom of the display do not light up) is the actual value. This actual value can be in the range of -20°C to +100°C (at temperatures outside of this range, the error **Cdc** will be displayed).

→ Heating elements with the following serial numbers BS00000001 to BS00000279 match with the following functions.

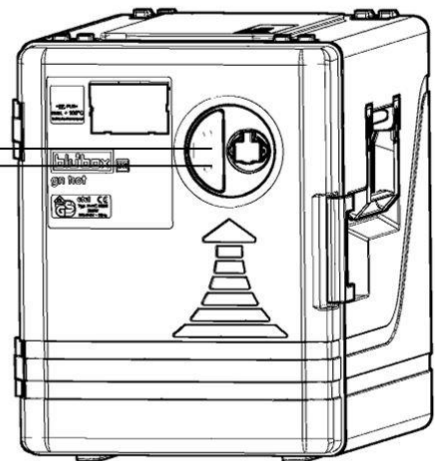
Adjustable setpoint temperatures from + 50 ° C to 85 ° C. Display with digital display.



### B. Basic functional requirement:

H – HC L 0052 lite Art.-no. 8003185

Self regulating – Temperature area  
+ 75°C to + 80°C



There are no settings and no temperature display for the lite – heater. The heating element begins to heat up when connected to the power supply, the interior box temperature after approx. 40 minutes should be up to + 75 ° C to + 80 ° C.

**Display of the controllable heating elements H – HC R 0052 Art.-Nr. 8003130**

<b>Display</b>	<b>Explanation</b>
<b>8.8.8.</b> Start-display	Will be displayed after switching on the device until a valid value has been read from each sensor. If the display remains unchanged for more than 10 seconds, the device must be sent back for repairing.
<b>SDC</b>	Displayed if the limit sensor in the heating cartridge can <b>NOT</b> be read or the read values are outside the defined range. If this indication remains, the device must be sent back for repairing.
<b>Cdc</b>	Displayed if the air temperature sensor can <b>NOT</b> be read or the read values are outside the defined range. If this indication remains, the device must be sent back for repairing.
---	Displayed if the read sensor values are within the permissible range but are too unstable for a long time. If this indication remains, the device must be sent back for repairing. This condition only occurs under strong interference from the outside.
<b>Current measuring mode</b> (Normal mode)	Number within the permissible temperature range <b>WITHOUT</b> a flashing dot indicates the instantaneous actual temperature of the air temperature sensor.
<b>Current setting value</b> (Setting mode)	Number in the permissible temperature range <b>WITH</b> flashing dot indicates that the heater is in the setting mode. Indicates the currently setpoint temperature of the air temperature sensor.
<b>Adjustment process</b>	By pressing one of the buttons, the heater will enter the setting mode (with the dot flashing). If no button is pressed for 3 seconds, the heater returns to normal mode (without a flashing dot) and the newly set temperature is accepted as the setpoint temperature.

## Regulation for the heating element Art.-no. 8003130 (A)

Heating element does **NOT** heat when,

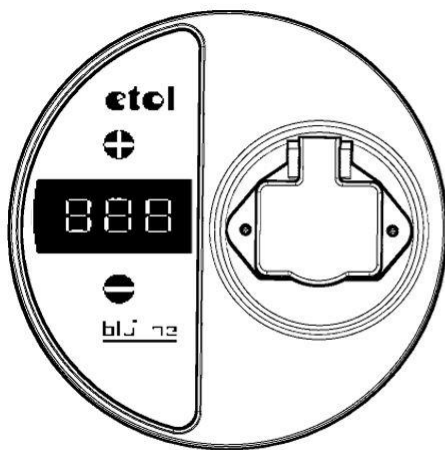
- if one of the sensors is detected as not connected or its values are outside the permissible range of  $-20^{\circ}$  till  $+85^{\circ}\text{C}$ .
- at a surrounding temperature of less than  $+5^{\circ}\text{C}$  or more than  $+110^{\circ}\text{C}$ .
- the heating cartridge exceeds a temperature of  $+200^{\circ}\text{C}$ .
- if the display is dark, then the heater is defective and must be repaired, but check the power supply connection first.

Heating element heats,

- if none of the previous conditions apply and the actual temperature (air sensor) is lower than the setpoint temperature.
- if the heating cartridge temperature is less than  $+45^{\circ}\text{C}$ , a power ramp is used to preserve the heating cartridge (multicycle control).

### Operation:

- Temperature setting



The setpoint-temperature rises by  $1^{\circ}\text{C}$  with every click of the button.



The setpoint-temperature sinks by  $1^{\circ}\text{C}$  with every click of the button.

### Attention:

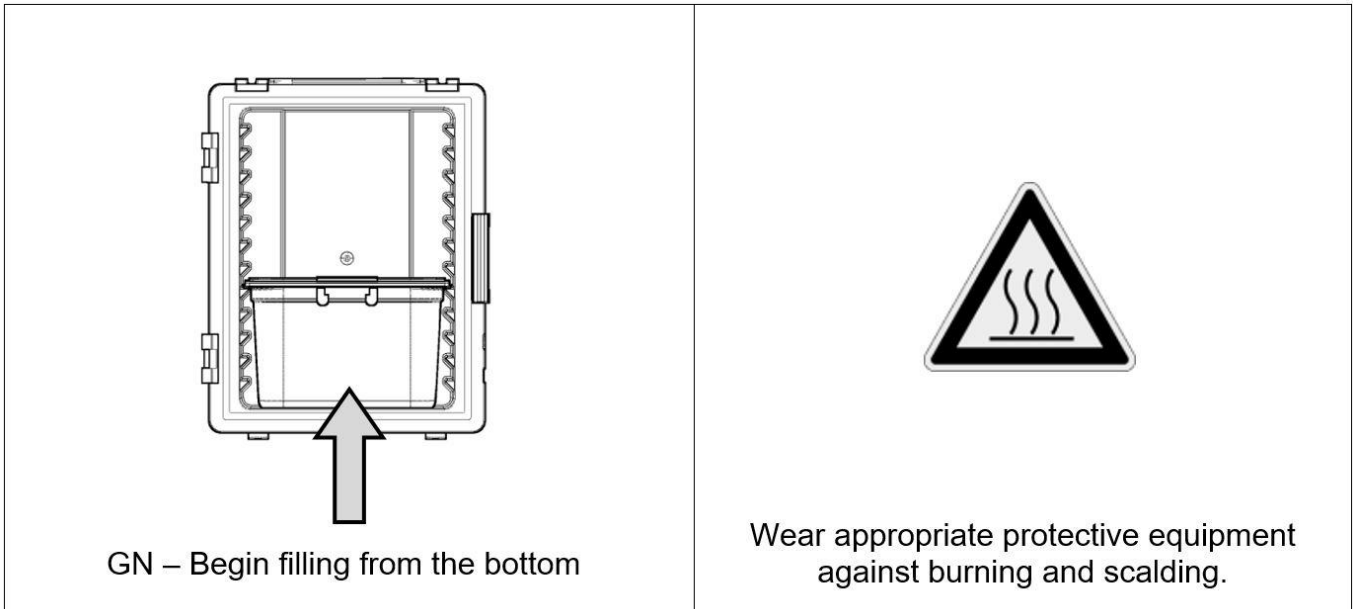
LED lights up permanently  
LED does not light up

= display in degrees Fahrenheit  $^{\circ}\text{F}$   
= display in degrees Celsius  $^{\circ}\text{C}$

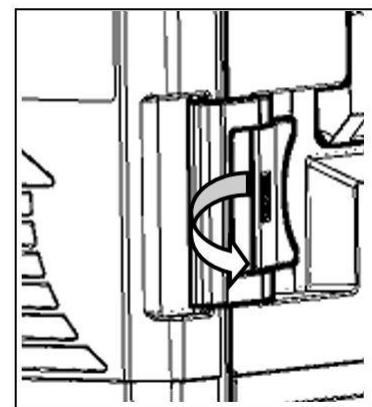
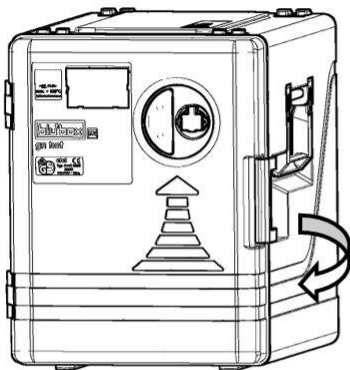
- Display in degrees Celsius  $^{\circ}\text{C}$  or Fahrenheit  $^{\circ}\text{F}$  can be changed, by simultaneously pressing both buttons for 3 seconds.

### 3.4 Start up / Equipping

- The door must stay closed while the food transport box is heating up
- For better results, it is beneficial to preheat the food transport box for about 30 minutes before inserting the GN-containers with the hot food.
- Please **ONLY** put hot food in sealed GN-containers, also only open the door for a short period of time

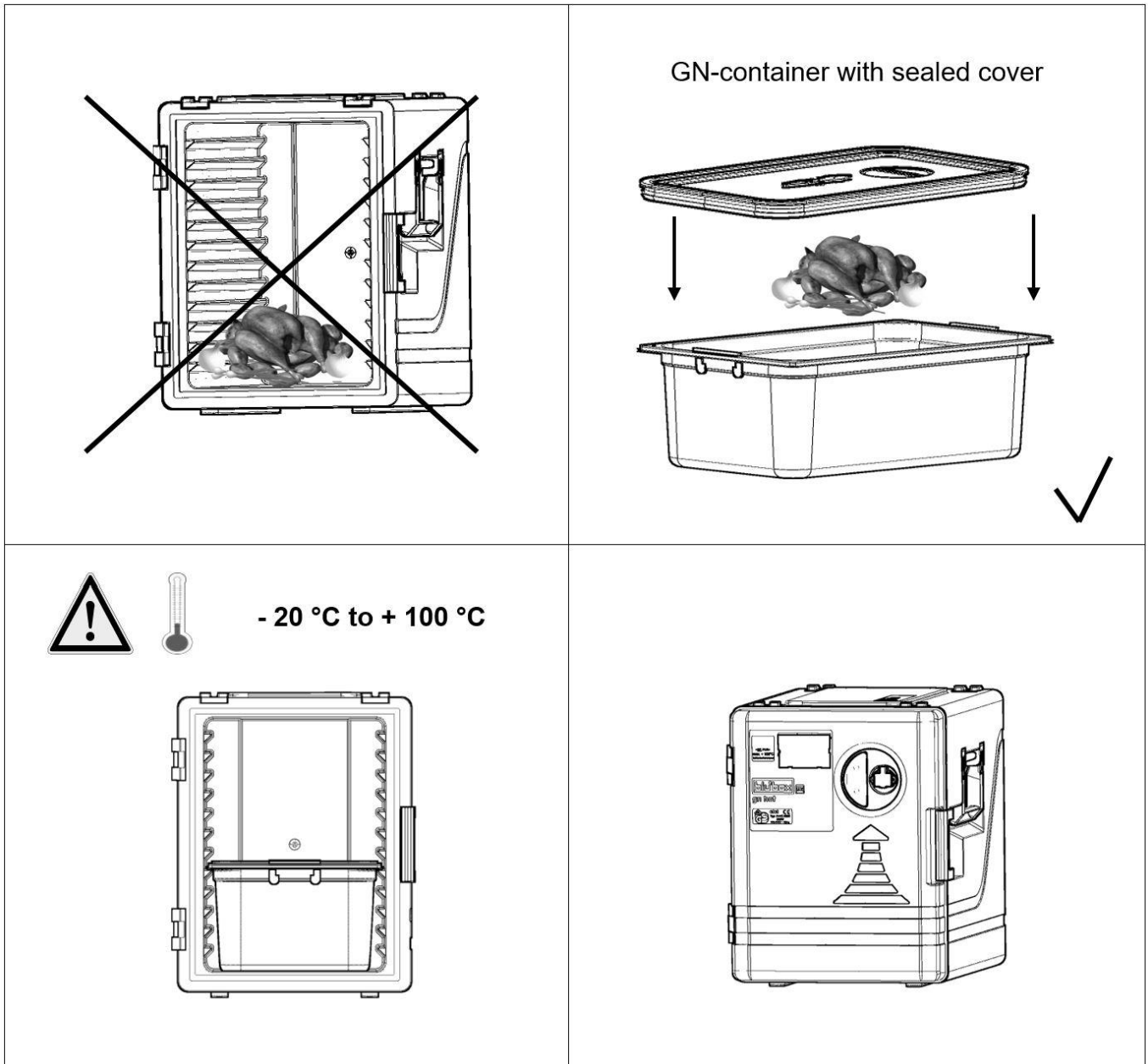


### 3.5 Opening and closing the door

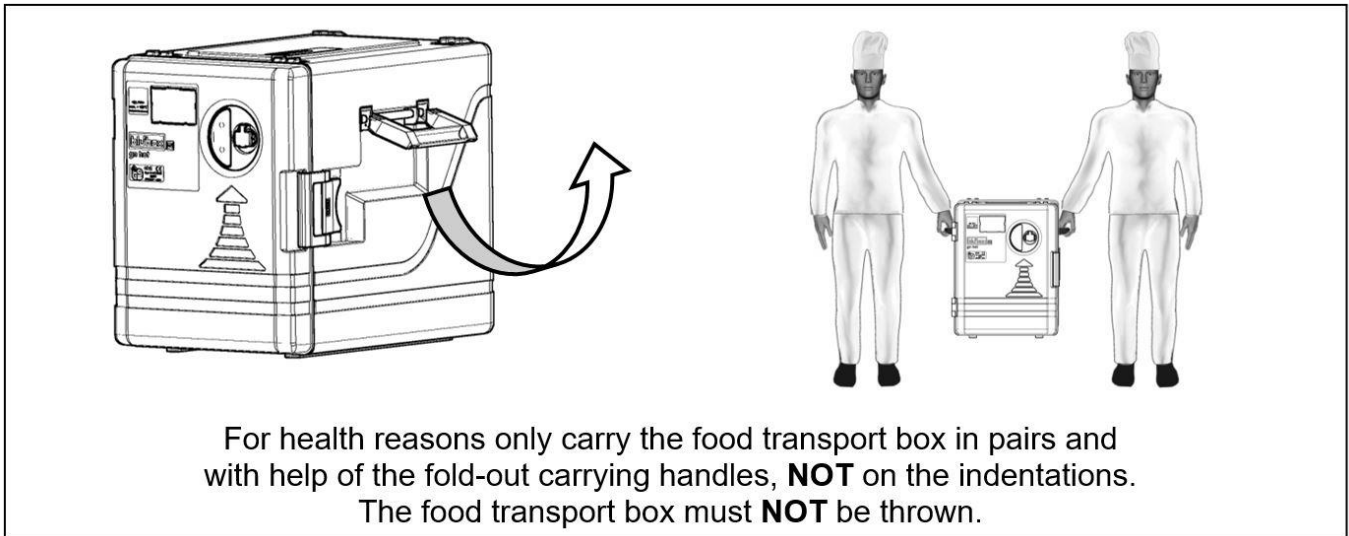


Open and close the door of the food transport box as shown in the pictures above, with help of the clip closure Art.-no. 8001627.

### 3.6 Equipping with food



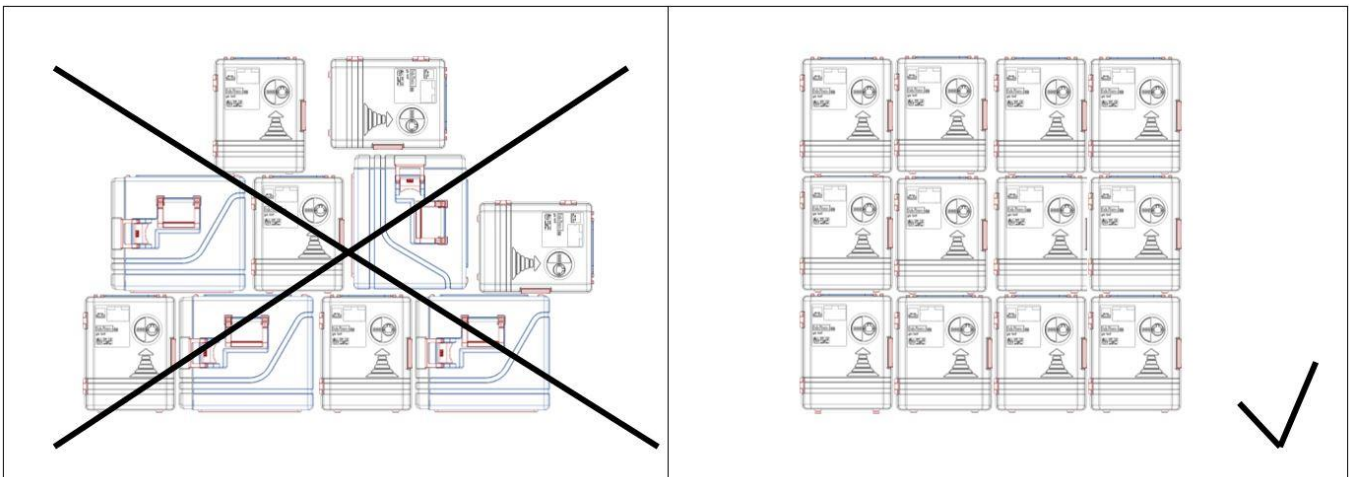
### 3.7 Transportation






The general rules for securing loads apply to transport in vehicles. The food transport boxes may **NOT** be transported unsecured in the vehicle.

### 3.8 Storage

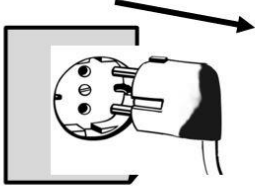
- The food transport boxes must be correctly stacked on top of each other and must be kept in clean, dry rooms.
- Ensure that the skids of the upper food transport container are in the guides of the lower food transport container.
- When the transport container is moved from a cold storage room to a kitchen, the moisture contained in the room condenses on the surface of the food transport box. The moisture film can result in a short circuit or an electric shock when the food transport box is connected to a power source. Only operate the heater when the room temperature has been assumed.
- Please **ONLY** stack **3** food transport boxes on top of each other at the most.




### 3.9 Removal of the GN-container / Food distribution

	<p>Please ensure a secure position of the food transport box. <b>DO NOT</b> stack more than two boxes on top of each other (Stack corners must latch).</p>
	<p>When removing and serving the food, make sure that especially liquids (sauces and similar) <b>DO NOT</b> come into contact with the heating element.</p>
	<p><b>DO NOT</b> put the GN container on the food transport container, there is a risk of burning due to touching the heating element. Wear suitable protective equipment against burning and scalding.</p>

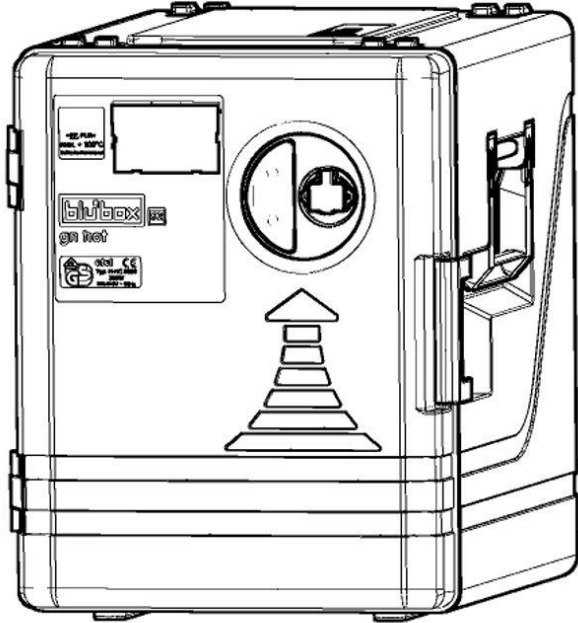
### 3.10 After use



- Disconnect the power cord from the power source.

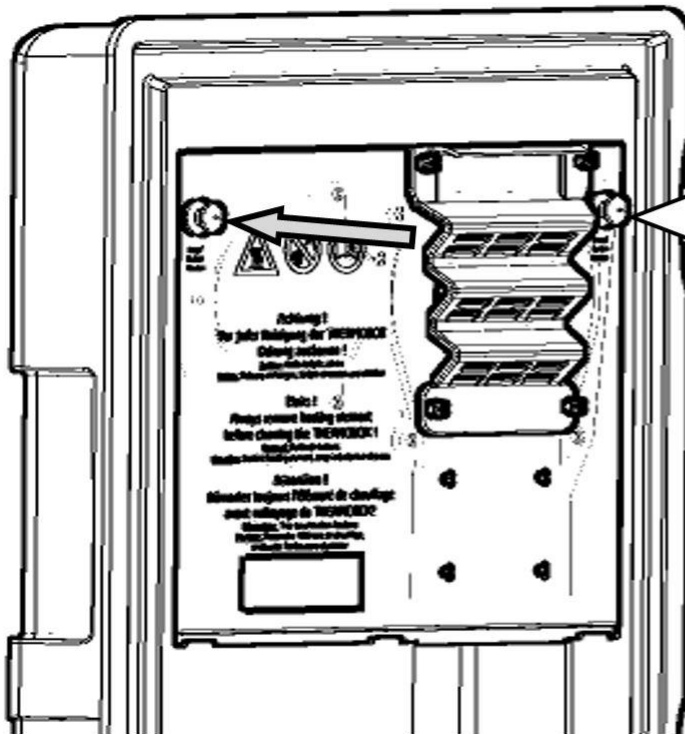


- Disconnect the power cord (Art.-nos. 8003629, 8002152 with CH plug, 8002324 with UK plug) from the heating element.

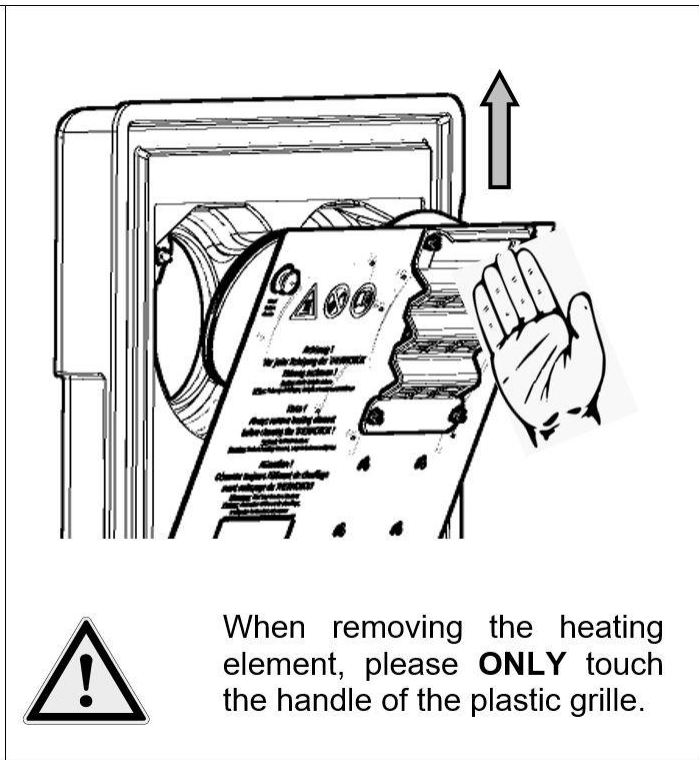
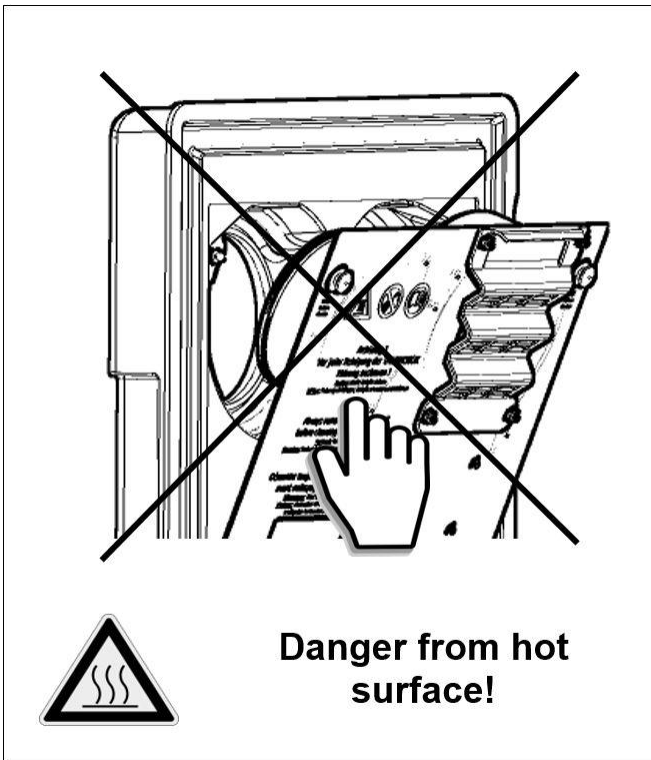




- Disassembly of the heating element



Unlatch the heating element by pulling on the pushbuttons and slowly tilting it towards yourself and then pulling it upwards out of the guide slots.



### 3.11 Cleaning / Maintenance



Before cleaning the food transport box:

- pull out power cord from the power socket,
- pull out the power cord from the heating element,
- let the heating element cool down,
- take out the heating element

Thoroughly clean your food transport box – especially on the inside.

Dirt, salt and calcification can lead to corrosion damage.

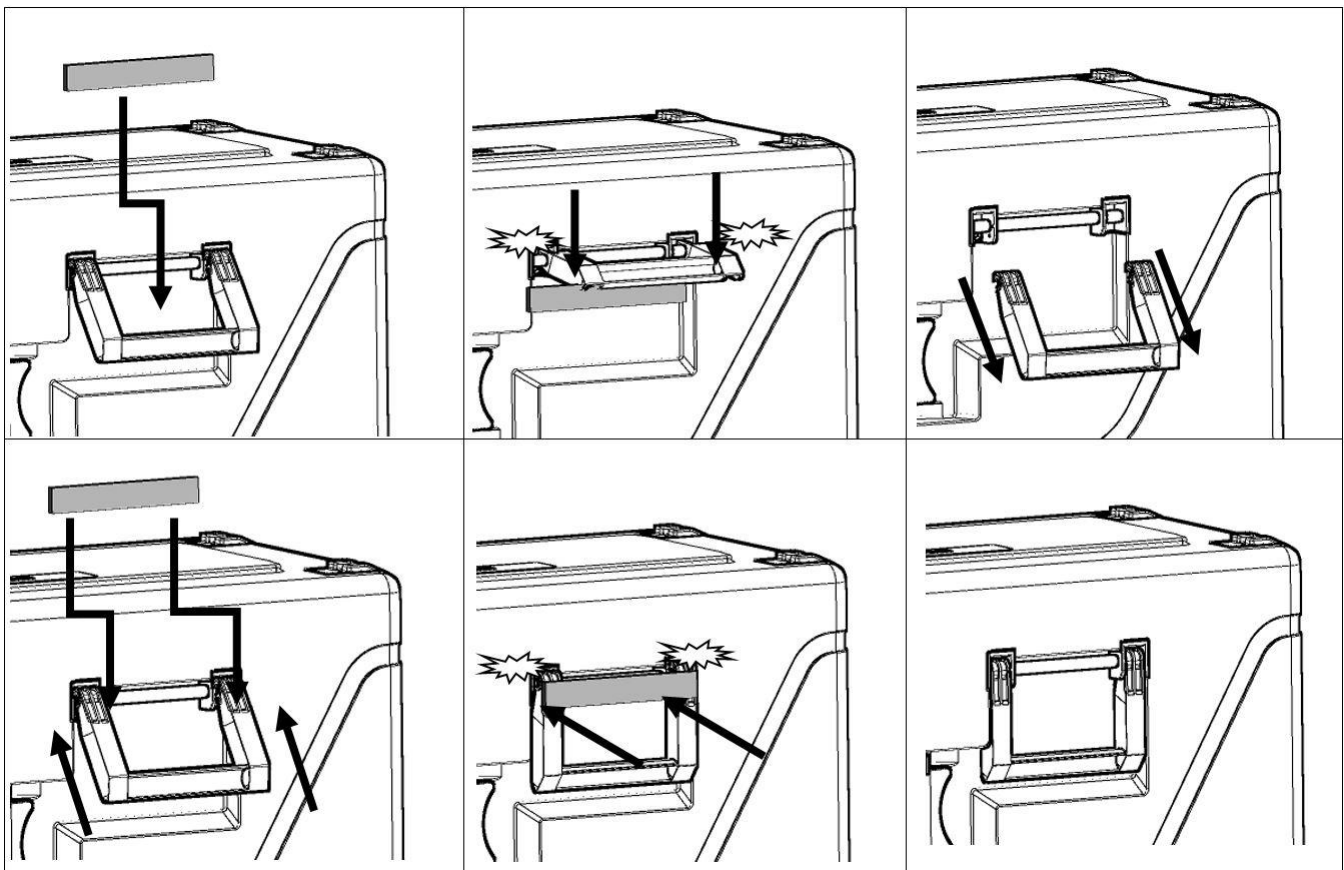
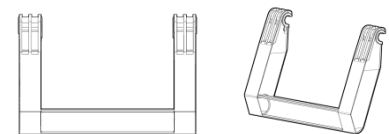
The manufacturer / supplier is **NOT** liable for the damage resulting from this.

The food transport box is fully dishwasher-safe. We recommend the use of cleaning agents such as ETOLIT 3000 and 8000. Please avoid the use of high-pressure cleaners if the working temperatures exceed + 130 ° C

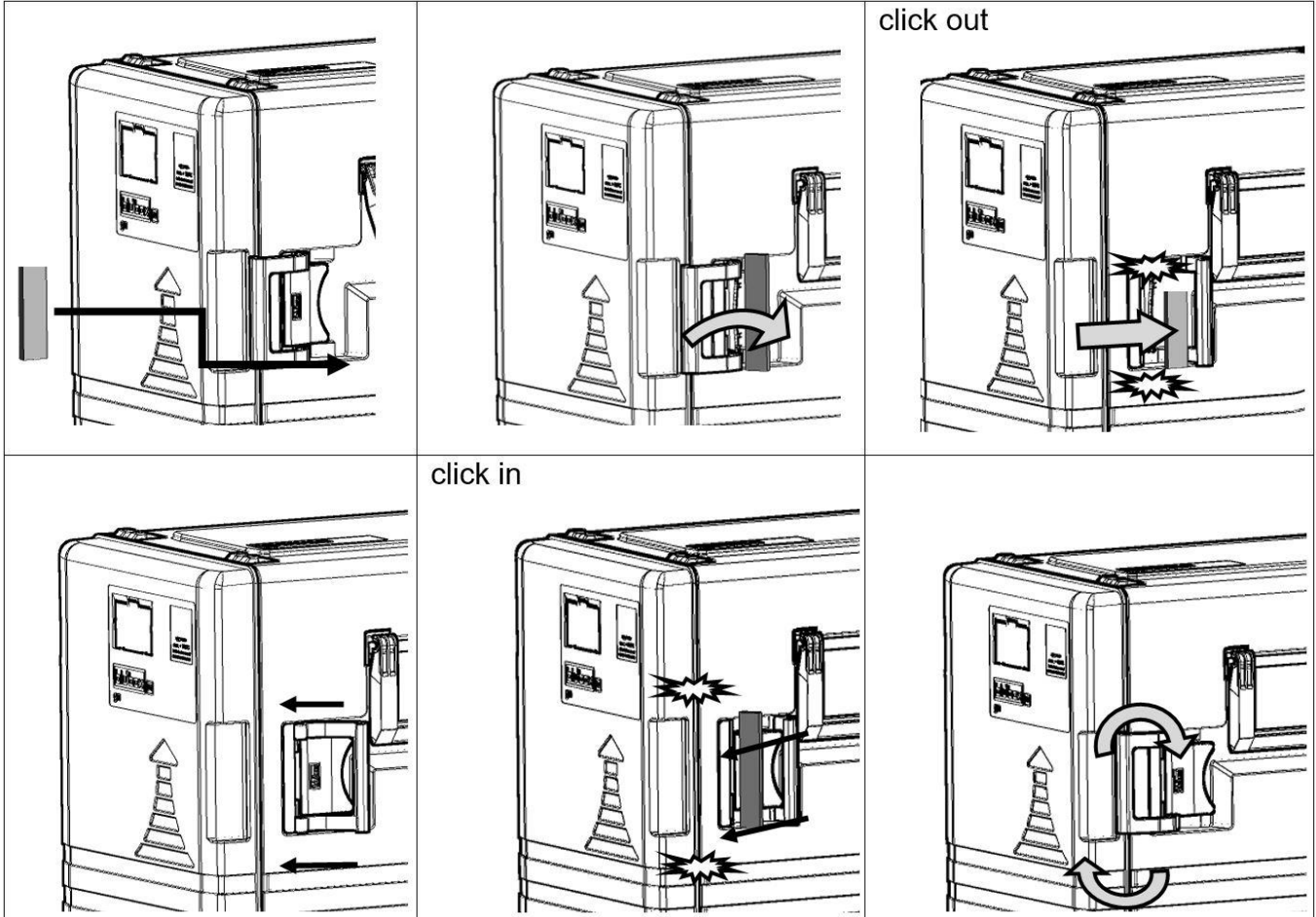
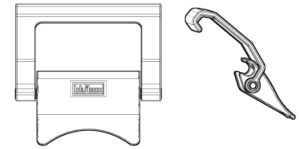
The door is **ONLY** allowed to be washed in the dishwasher **WITHOUT** the heating element. Clean the heating element with a soft moist cleaning cloth. **DO NOT** put the heating element in the dishwasher.

### 4. Assembly / Disassembly

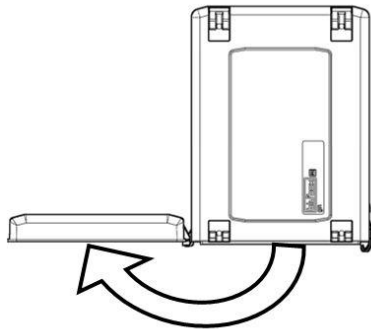
#### 4.1 Exchange - Handles Art.-no. 8001621



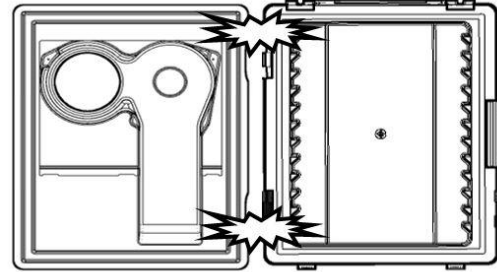
#### 4. 2 Exchange - Clip closure Art.-no. 8001627



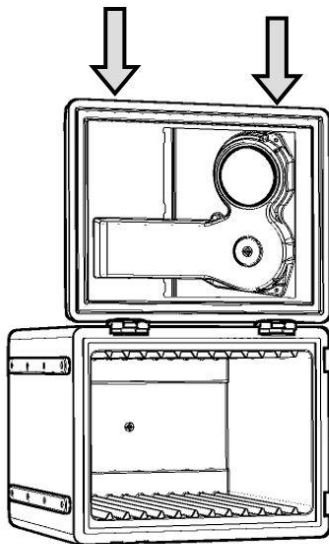
4. 3 Exchange – door Art.-no.664202518



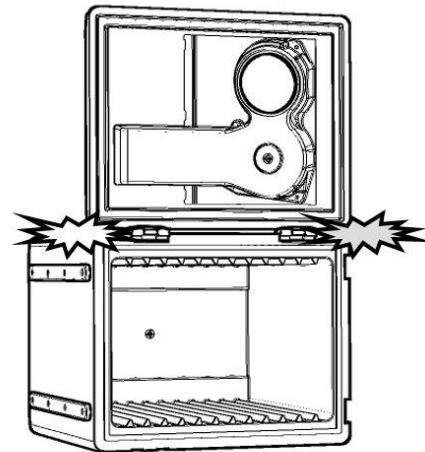
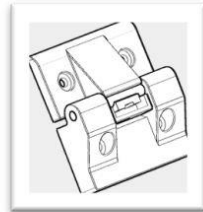
Open door  $\geq 180^\circ$



Hold door – hinges will notch out



Put the door hinges onto the retaining bolts and press down hard.



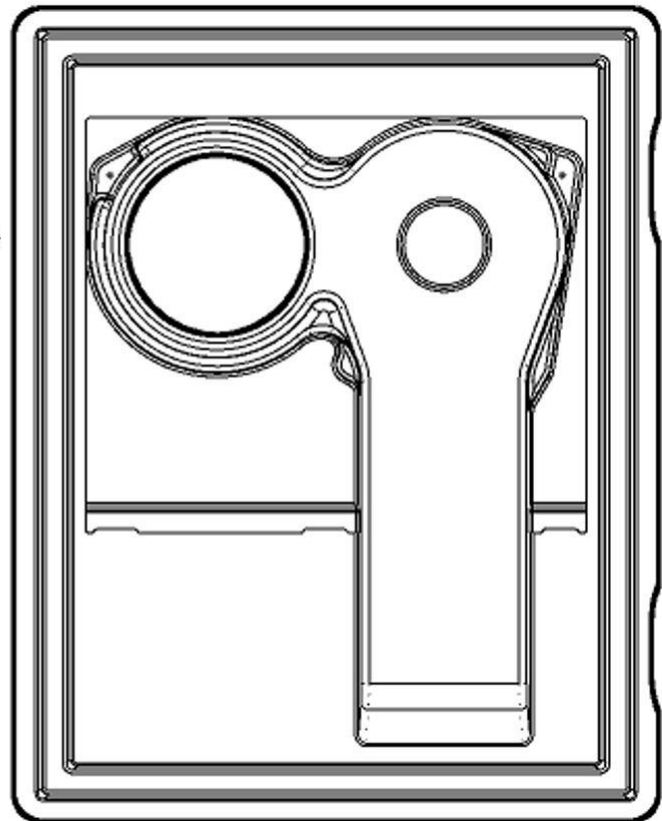
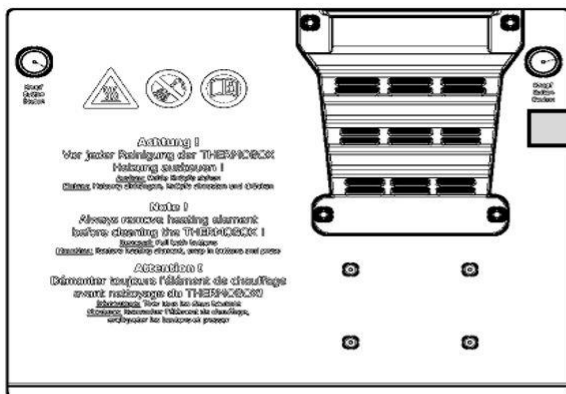
Hinges will latch in.

## 4. 4 Heating elements

- A. Heating element H – HC R 0052  
Art.-no. 8003130
- B. Heating element H – HC L 0052 lite  
Art.-no. 8003185

Doors for heating elements

- blu'box 52 gn hot <sup>2</sup>
- blu'box 52 gn / en hot <sup>2</sup>



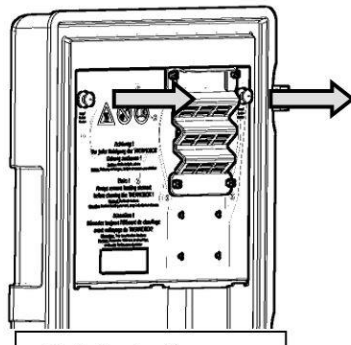
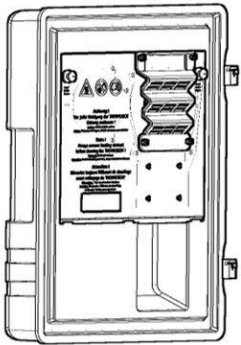
- **Technical Data**

Line voltage:	<b>1N AC 220-240V / 50Hz (10/16 Ampere)</b>
Current consumption:	<b>500 W</b>
Network connection:	<b>Isolated ground outlet</b>
Weight:	<b>A. Heating element H – HC R 0052     2,5 kg</b> <b>B. Heating element H – HC L 0052 lite   2,4 kg</b>

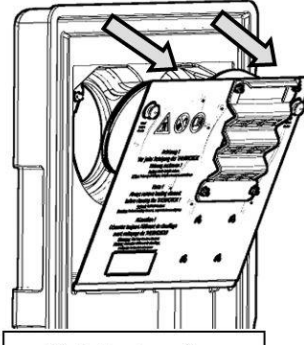
Technical changes:

**We reserve the right to make technical changes to the article.**

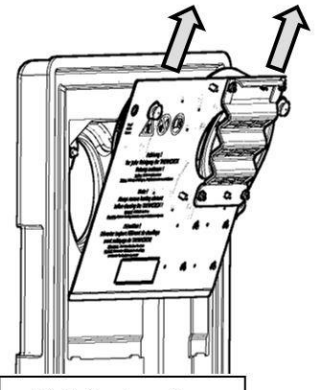
- Disassembling the heating element from the door



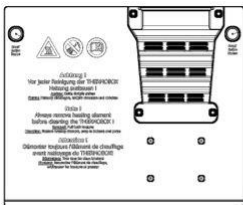
Pull the buttons on the heating element at the same time.



Pull the heating element with help of the buttons slowly towards yourself.



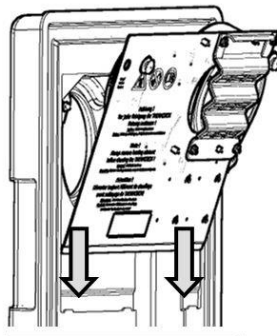
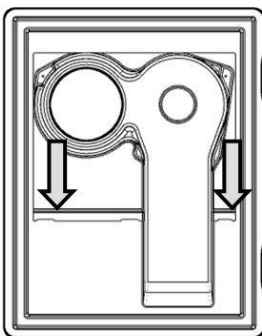
Pull the heating element up out of the guide slots.



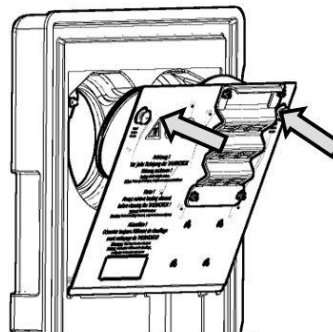
A. Heating element H - HC R 0052 **Art.-no. 8003130**

B. Heating element H - HC L 0052 **Art.-no. 8003185**

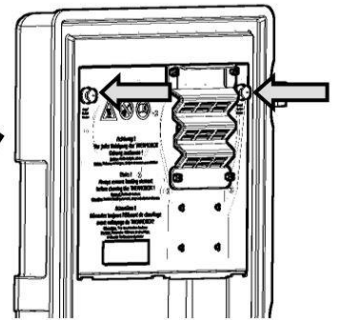
- Assembling the heating element into the door



Insert heating element in the guide slot downwards.



Push the heating element into the front of the door.



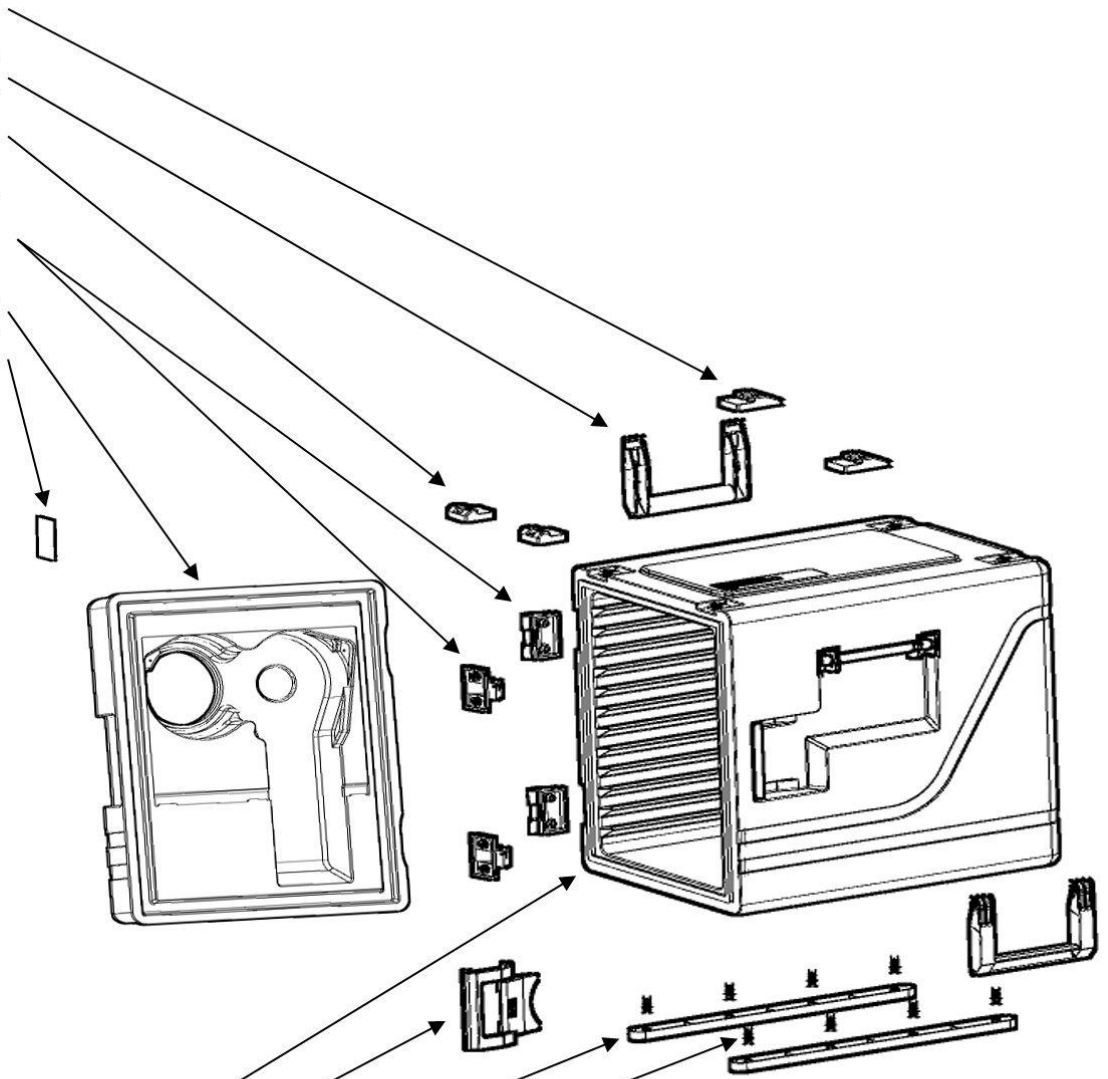
Put the pushbuttons in the fixing knobs correctly.

### 5. List of parts / Spare parts

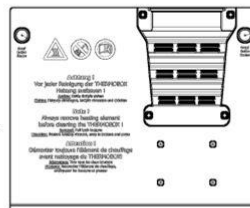
**A. blu'box 52 gn hot <sup>2</sup> Art.-no. 4000663**

**B. blu'box 52 gn hot <sup>2</sup> lite Art.-no. 4000679**

2 x	8001979
2 x	8002485
2 x	8001742
2 x	8001621
2 x	8001980
2 x	8002485
2 x	8001742
2 x	4000380
4 x	8004945
4 x	8001742
1 x	664202518
1 x	664100272

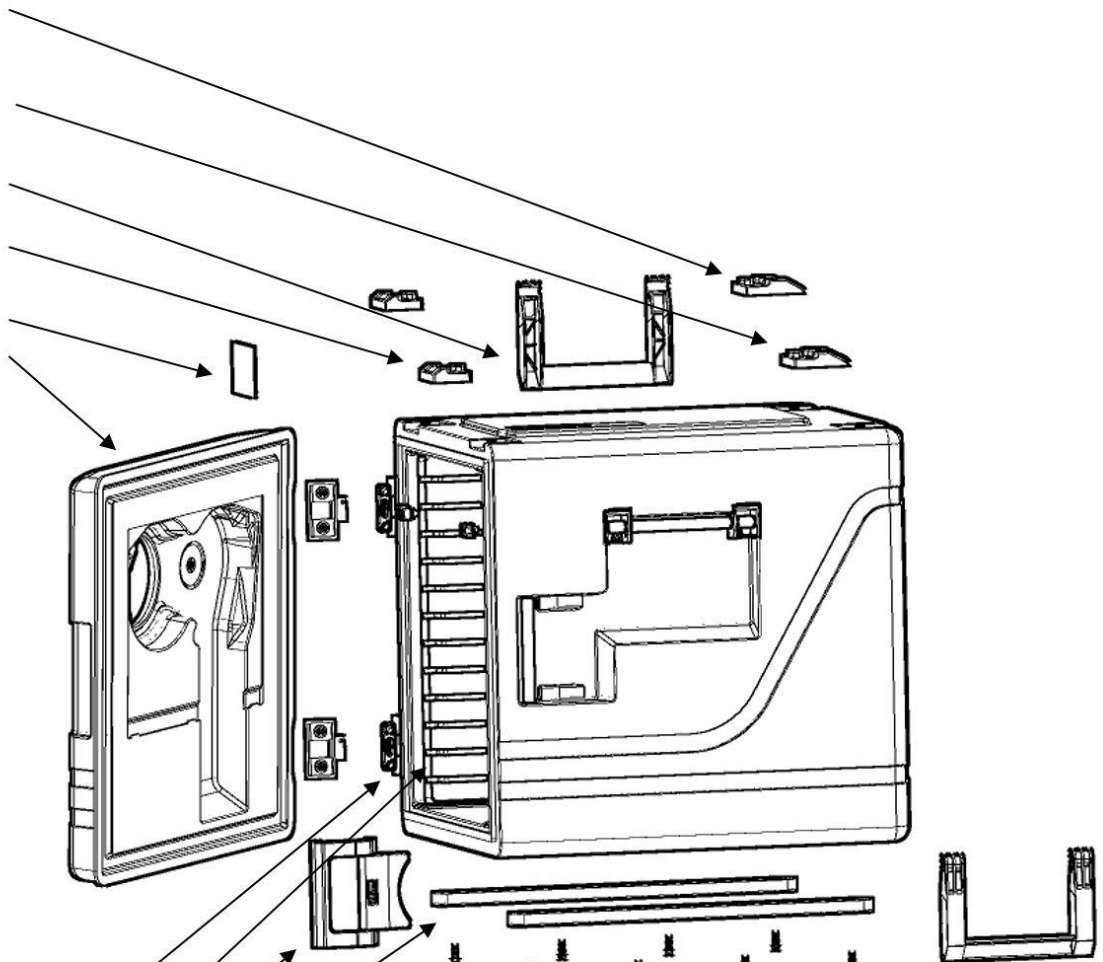


1 x	664201609
1 x	8001627
2 x	8001620
8 x	8007399
1 x	8003130
1 x	8003185
1 x	8003629

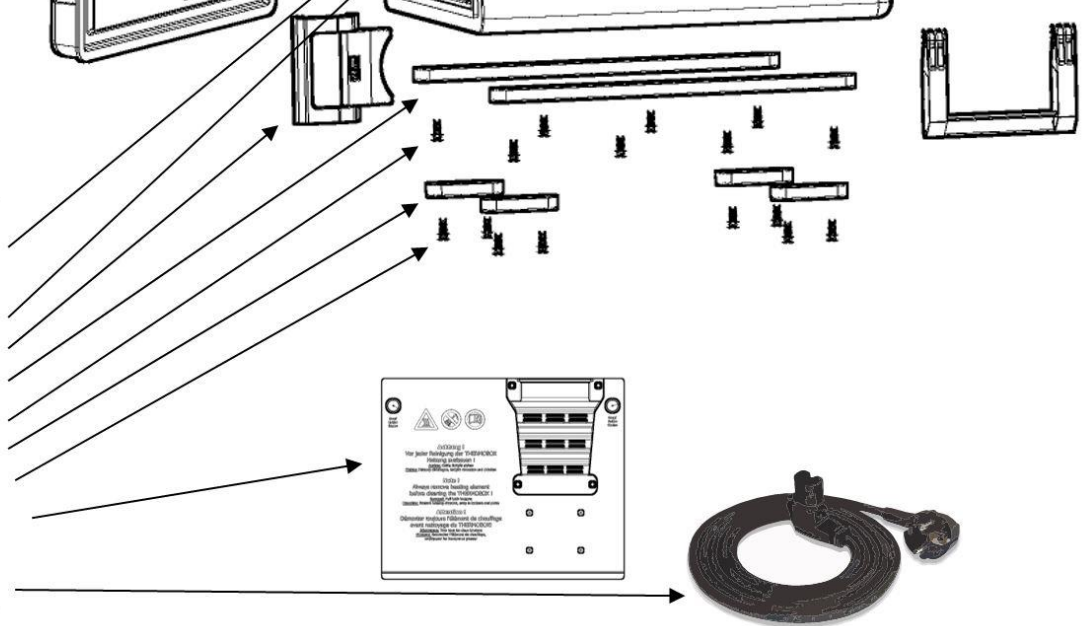


**A. blu'box 52 gn / en hot <sup>2</sup> Art.-no. 4000664**  
**B. blu'box 52 gn / en hot <sup>2</sup> lite Art.-no. 4000680**

1 x	8001692
1 x	8002485
1 x	8001742
1 x	8001691
1 x	8002485
1 x	8001742
2 x	8001621
2 x	8001693
2 x	8002485
2 x	8001742
1 x	664100272
1 x	664202557



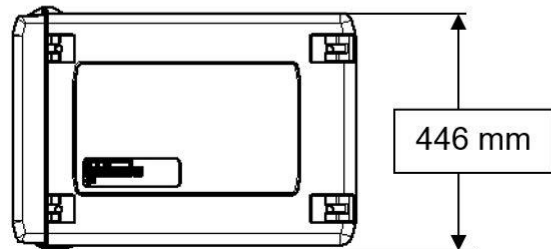
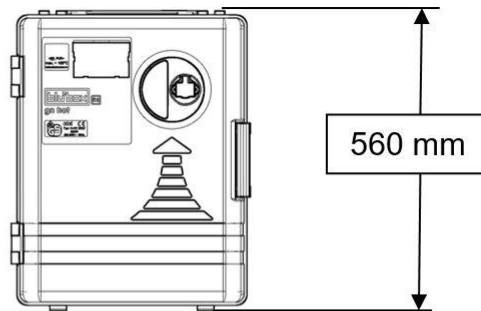
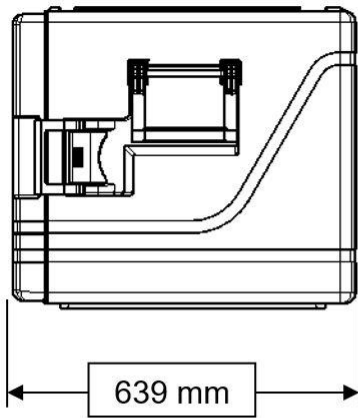
2 x	4000380
4 x	8004945
4 x	8001742
2 x	8001685
1 x	8001627
2 x	8001620
8 x	8007399
4 x	8001841
8 x	8007399
1 x	8003130
1 x	8003185
1 x	8003629





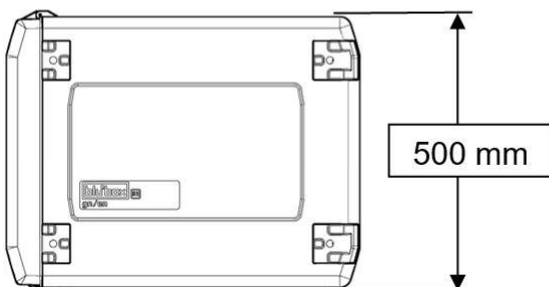
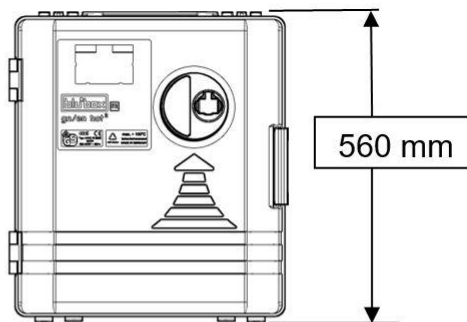
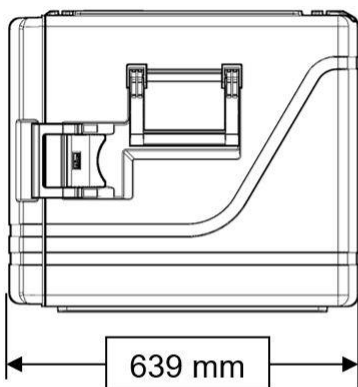
6. Technical data – main dimensions and weights

➤ **blu'box 52 gn**



Own weight without heating element: 11,7 kg

➤ **blu'box 52 gn / en**



Own weight without heating element: 15,8 kg

## 7. Maintenance / Repairs

An inspection in accordance with DGUV regulation 3 must be carried out regularly by authorized personnel.

The food transport boxes may only be repaired by etol personnel.

Repairs to the heating element must **NOT** be carried out yourself.

By opening the heaters each warranty expires, any liability is excluded.

To carry out repairs, please inform:

- **Producer**



etol Eberhard Tripp GmbH • Allerheiligenstraße 12 • 77728 Oppenau • Germany  
T. + 49 (0) 7804 410 – [info.bluline@etol.de](mailto:info.bluline@etol.de) • [www.bluline.de](http://www.bluline.de)

- **Notes**

## 8. Declaration of confirmity

### EU-Konformitätserklärung

etol Eberhard Tripp GmbH  
 Allerheiligenstraße 12  
 77728 Oppenau

Produktbezeichnung: Großküchen-Speisetransportbehälter  
 Type of Products: Food transport container

Marke / Trademark:   
 Typenbezeichnung / Models: H-HC R 0052, H-HC L 0052, H-HC 0052 R

Hiermit erklären wir eigenverantwortlich, dass die in dieser Erklärung aufgeführten Produkte mit den grundlegenden Anforderungen der aufgelisteten EG-Richtlinien übereinstimmen.

We declare, under our sole responsibility, that the products to which this declaration refers, comply with Essential Requirements of following European Directives.

Maschinenrichtlinie: 2006/42/EG	Machinery Directive: 2006/42/EG
EMV-Richtlinie: 2014/30/EG	EMC Directive: 2014/30/EG
ROHS 2 Beschränkung gefährlicher Stoffe: 2011/65/EG	EU RoHS 2 Restricted Substances: 2011/65/EG

Die Produktkonformität wurde anhand der folgenden Standards bewertet:

Product's conformity has been assessed by applying following standards:

- DIN EN 60335-1 (VDE 0700-1):2020-08; EN 60335-1:2012+AC+A11+A13+A1+A2+A14:2019
- DIN EN 60335-2-49 (VDE 0700-49):2020-12; EN 60335-2-49:2003+Corr.:2007+A1+A11+A2:2019
- DIN EN 62233 (VDE 0700-366):2008-11; EN 62233:2008
- DIN EN 62233 Ber.1 (VDE 0700-366 Ber.1):2009-04; EN 62233:2008/Cor.:2008
- EN 60335-1:2012/A15:2021
- DIN EN 61000-3-3 (VDE 0838-3):2023-02; EN 61000-3-3:2013+A1+A2+A2/AC:2022
- DIN EN IEC 55014-1 (VDE 0875-14-1):2022-12; EN IEC 55014-1:2021
- DIN EN IEC 55014-2 (VDE 0875-14-2):2022-10; EN IEC 55014-2:2021
- DIN EN IEC 61000-3-2 (VDE 0838-2):2019-12; EN IEC 61000-3-2:2019
- EN IEC 61000-3-2:2019/A1:2021
- DIN EN IEC 63000:2019-05

Die Erklärung gilt vorbehaltlich bestimmungsgemäßen Gebrauchs, wie in unserer Bedienungsanleitung beschrieben. Bei einer nicht mit uns abgestimmten Änderung der oben genannten Produkte verliert diese Konformitätserklärung ihre Gültigkeit.

The declaration applies subject to the intended use as described in our operating instructions. If any alteration of the above-mentioned products is made without our prior agreement, this declaration of conformity loses its validity.

Bevollmächtigter für die technische Dokumentation:


Authorized representative for technical documentation:

Pavel Gentshev, Allerheiligenstrasse 12, 77728 Oppenau

Emissions datum / Emission date: 28.11.2023

Ort / Issued at: Oppenau

Unterzeichner / Signatory:

  
 Pavel Gentshev, Geschäftsführer / Managing Director

Powerful products for commercial kitchens.  
[www.etol.de](http://www.etol.de)



**etol Eberhard Tripp GmbH** • Allerheiligenstraße 12 • 77728 Oppenau • Germany  
T. +49 (0) 7804 41-0 [www.bluline.de](http://www.bluline.de) [info.bluline@etol.de](mailto:info.bluline@etol.de)