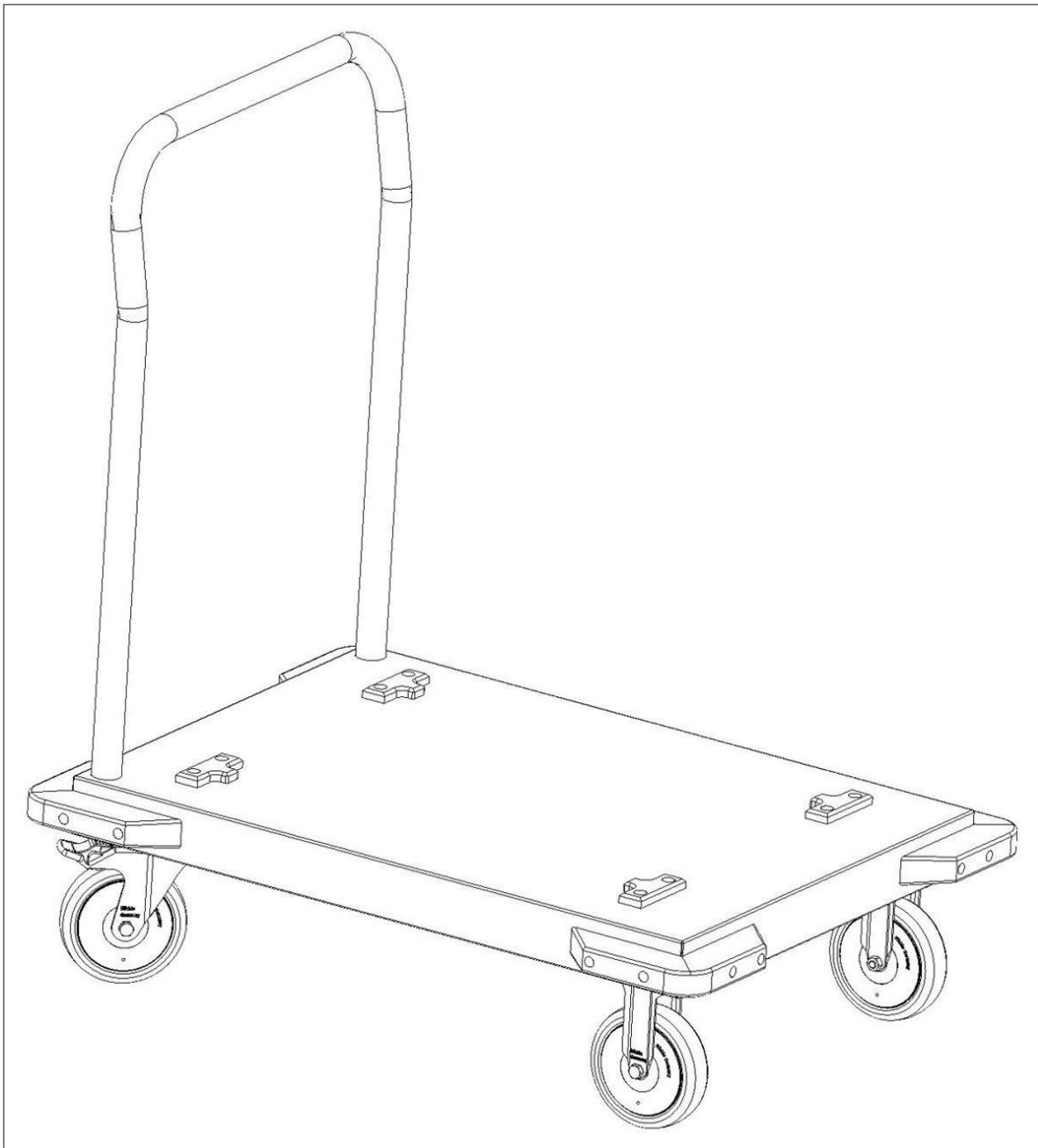


# blumobil easy roll

Original – User Manual, Art.-No. 4000497

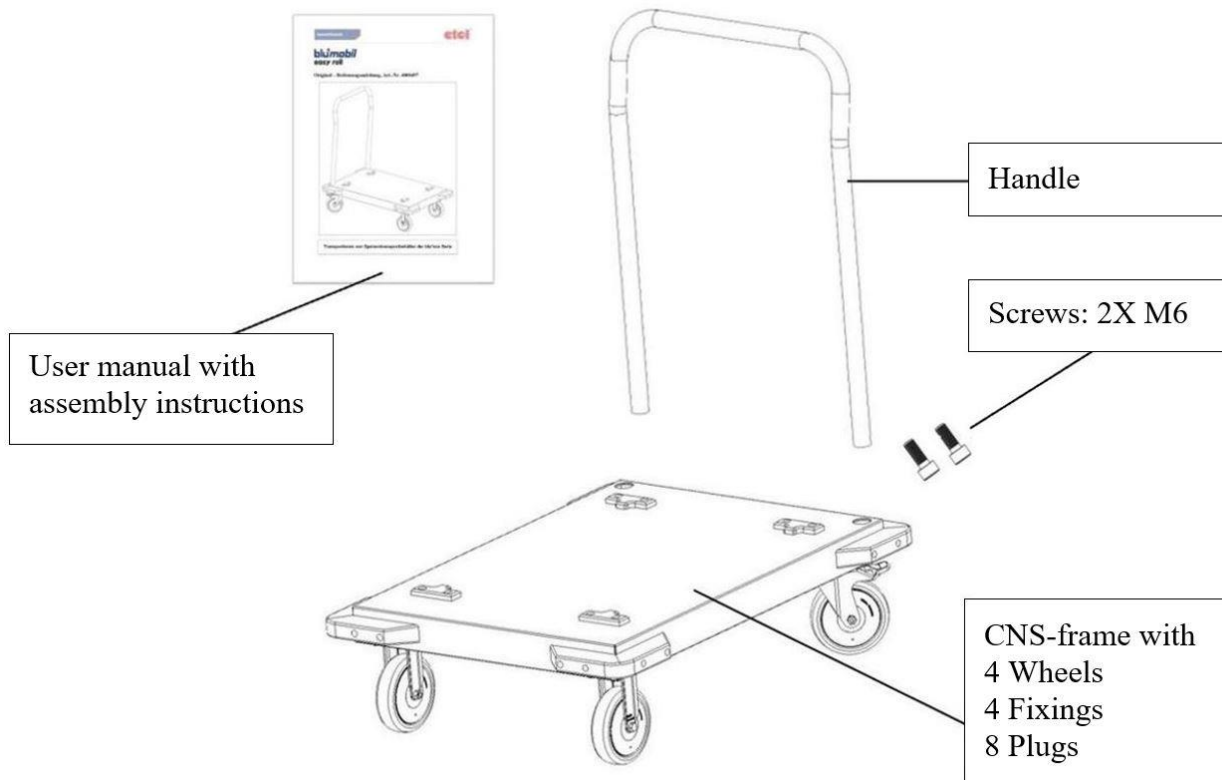


**For transporting blu'box food transport containers**

## Index:

1. Scope of delivery
2. General information
3. Technical data
4. Range of application
5. Assembly
6. Cleaning
7. Storage
8. Complaint process
9. Disposal
10. List of spare parts

### 1. Scope of delivery:



## 2. General information:



- The blu'mobil easy roll is specially designed for the transport of food transport containers of the blu'box series. Damage caused by the transport of other objects voids the warranty.
- The blu'mobil easy roll is designed for a lifting capacity of 180 kg. When transporting objects with a total weight of over 180 kg, the warranty expires.
- Warranty time: 24 months

## 3. Technical data:

Dimensions:	Length: 76,5 cm Width: 56,5 cm Height: 89,0 cm (Handle height) Height: 22,5 cm (Height of the cart)
Weight:	13,6 kg
Max. capacity:	180 kg
Max. stacking of blu'boxes:	blu'box 52 Series: Stacking up to 2 fully stocked boxes possible blu'box 26 Series: Stacking up to 3 fully stocked boxes possible
Material:	Frame: CNS Wheels: CNS Fixings: PP
Wheels:	2 swivel castor (with brakes) 2 fix wheels
Relative Humidity:	without condensation
Article name:	blu'mobil easy roll
Article number:	4000497
Distributor:	<b>etol Eberhard Tripp GmbH</b> • Allerheiligenstraße 12 • 77728 Oppenau • Germany T. + 49 (0) 7804 410 <a href="http://www.bluline.de">www.bluline.de</a> - <a href="mailto:info.bluline@etol.de">info.bluline@etol.de</a>

#### 4. Range of application:



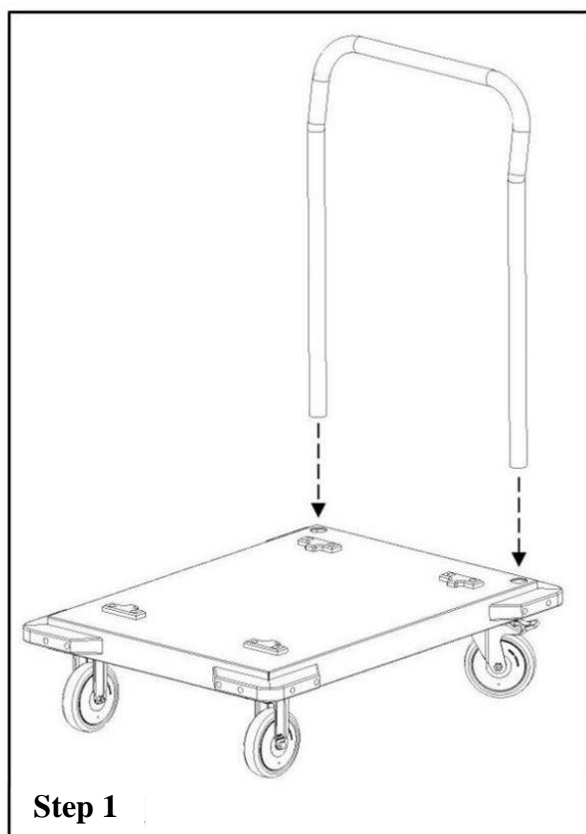
Transportation of food transport boxes from the blu'box series or similar products

The transport of other items is also possible after dismantling the fixings. However, no liability is assumed for this.

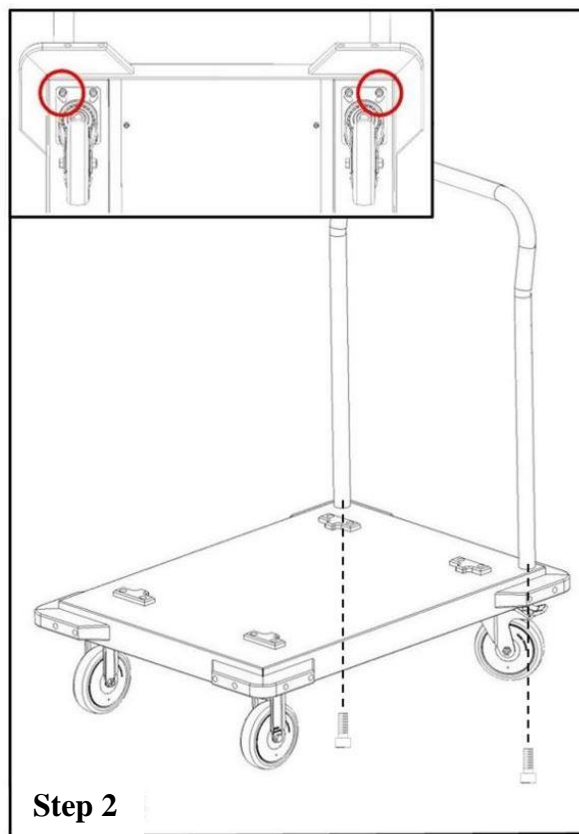
##### Application areas:

- Hospitals
- Nursing homes
- Company cafeterias
- Factory installations
- Small enterprises

#### 5. Assembly:



Slide the included handle bar into the two holes on the base.



Using the screwdriver included in the delivery, turn the supplied screws from the underside into the still free holes of the roller mounting (indicated by a red circle).

The handle is now attached and the blu'mobil easy roll can be used.

## 6. Cleaning:



1. Cleaning in a trolley washer is possible
2. Cleaning with a high-pressure cleaner is possible
3. Hand cleaning with ETOLIT stainless steel cleaner is possible
4. For light filth it is possible to spray with a water hose

(In all cases, the blu'mobil blu'mobil easy roll should be rubbed dry with a cloth)

## 7. Storage:



Store the blu'mobil easy roll in dry rooms at room temperature.  
The car should stand upright on all 4 wheels.

## 8. Complaint process:



In case of a legitimate complaint, please contact your dealer with the following information:

- Article name (see point 3 „Technical data“)
- Article number (see point 3 „Technical data“)
- Type of reclamation

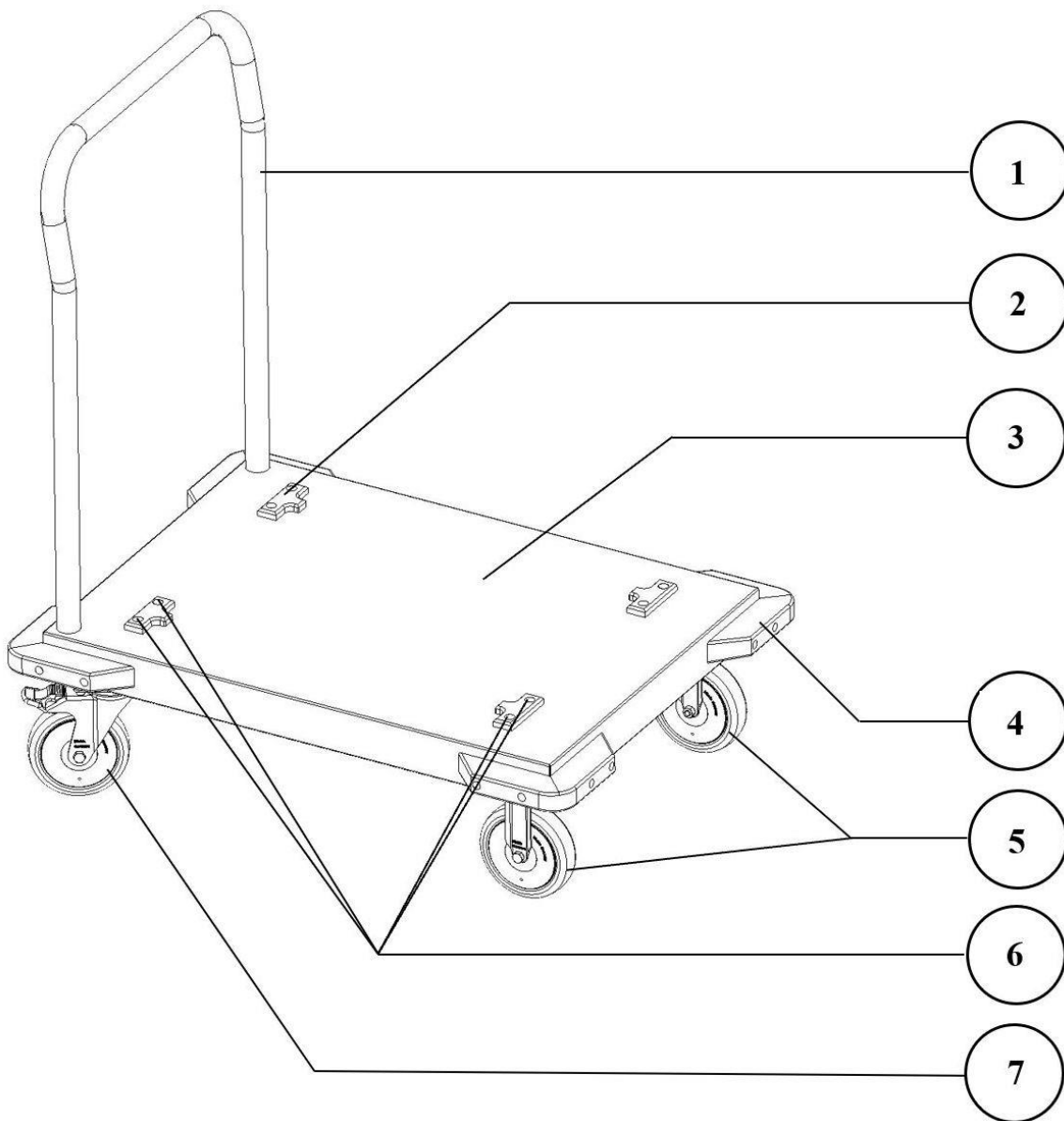
## 9. Disposal:

Please unscrew the rollers and the fixing segments from the cart.

- Dispose of the stainless steel frame at a metal return location
- Dispose of the wheels at a special waste disposal point
- The fixing segments can be disposed of with household waste (plastic waste)

If you have questions about the respective collection points, please contact your local council.

## 10. List of spare parts:



No.	Art.-no.	Art.-name
1	8002084	Handle
2	664100775	Fixing
3	8002087	Frame without rolls or fixing
4	8002740	Bumper
5	8002089	Fixed roll (2X)
6	8000072	Plug for the screw hole and 8002485 Screws M 5 x 12
7	8002090	Guide roll with brake (2X)

- **Notes**

Powerful products for commercial kitchens.  
[www.etol.de](http://www.etol.de)



**etol Eberhard Tripp GmbH** • Allerheiligenstraße 12 • 77728 Oppenau • Germany  
T. +49 (0)7804 410 • [www.bluline.de](http://www.bluline.de) • [info.bluline@etol.de](mailto:info.bluline@etol.de)