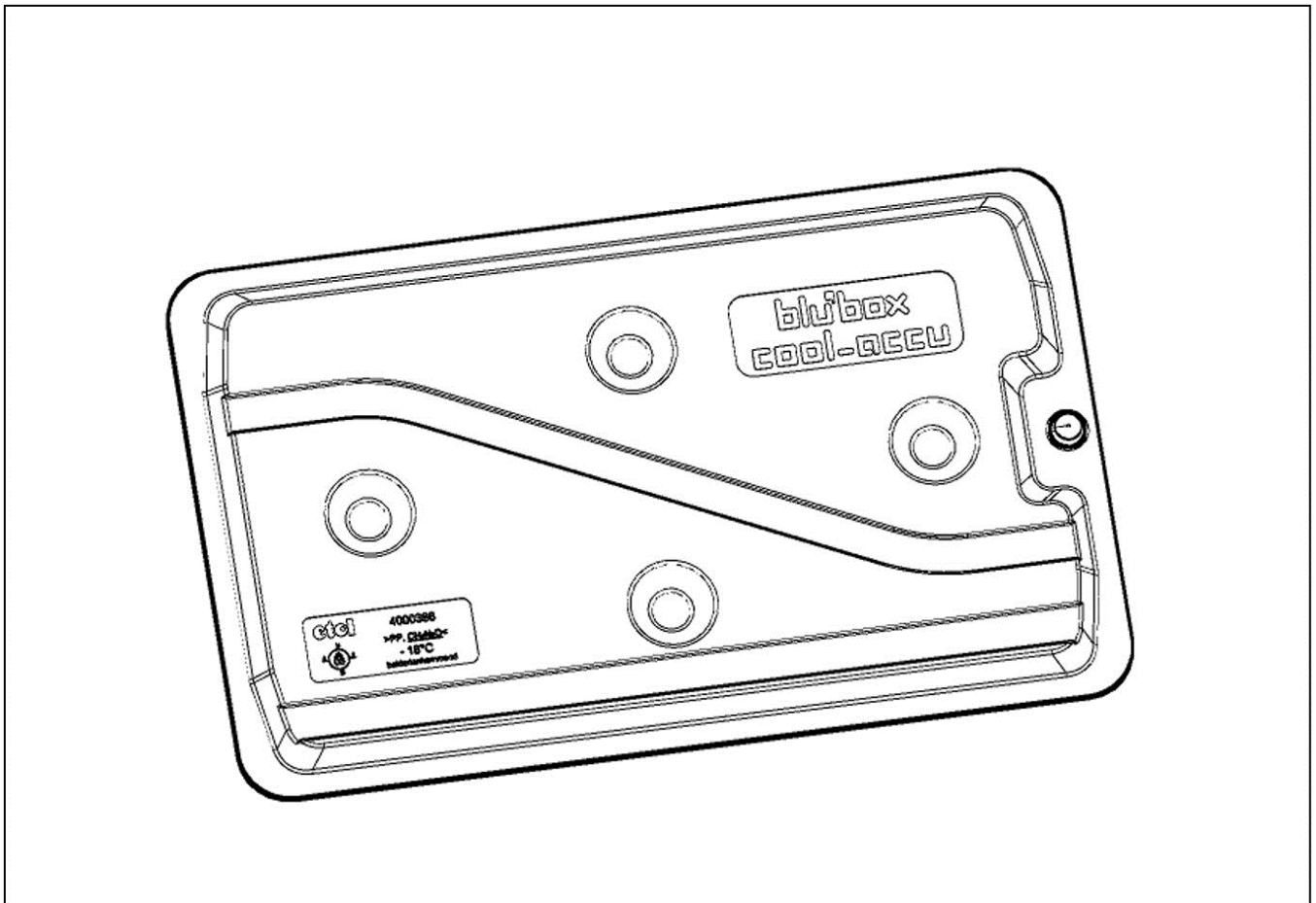


blu'box

cool-accu

Original – User manual Art.-no. 4000388



For transportation of cold food and drinks in combination with:
blu'box 13, blu'box 26 or blu'box 52

• Use

➤ In high cover Art.-no. 664201677

blu'box 13	Art.-no.	blu'box 26	Art.-no.
blu'box 13 eco	4000528	blu'box 26 eco	4000349
blu'box 13 standard	4000529	blu'box 26 eco plus	4000442
		blu'box 26 eco plus liquid	4000409
		blu'box 26 standard	4000330
		blu'box 26 plus	4000410
		blu'box 26 plus liquid	4000392

➤ As a slide-in module for the blu'box 52

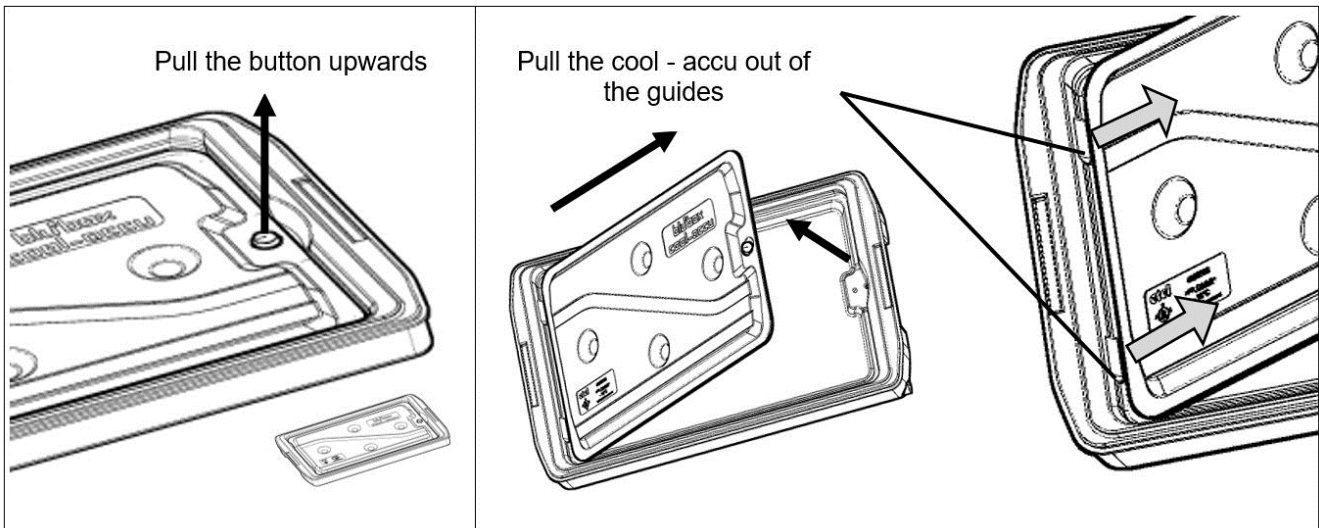
blu'box 52	Art.-no.	
blu'box 52 gn	4000445	
blu'box 52 gn / en	4000348	

➤ Temperature area

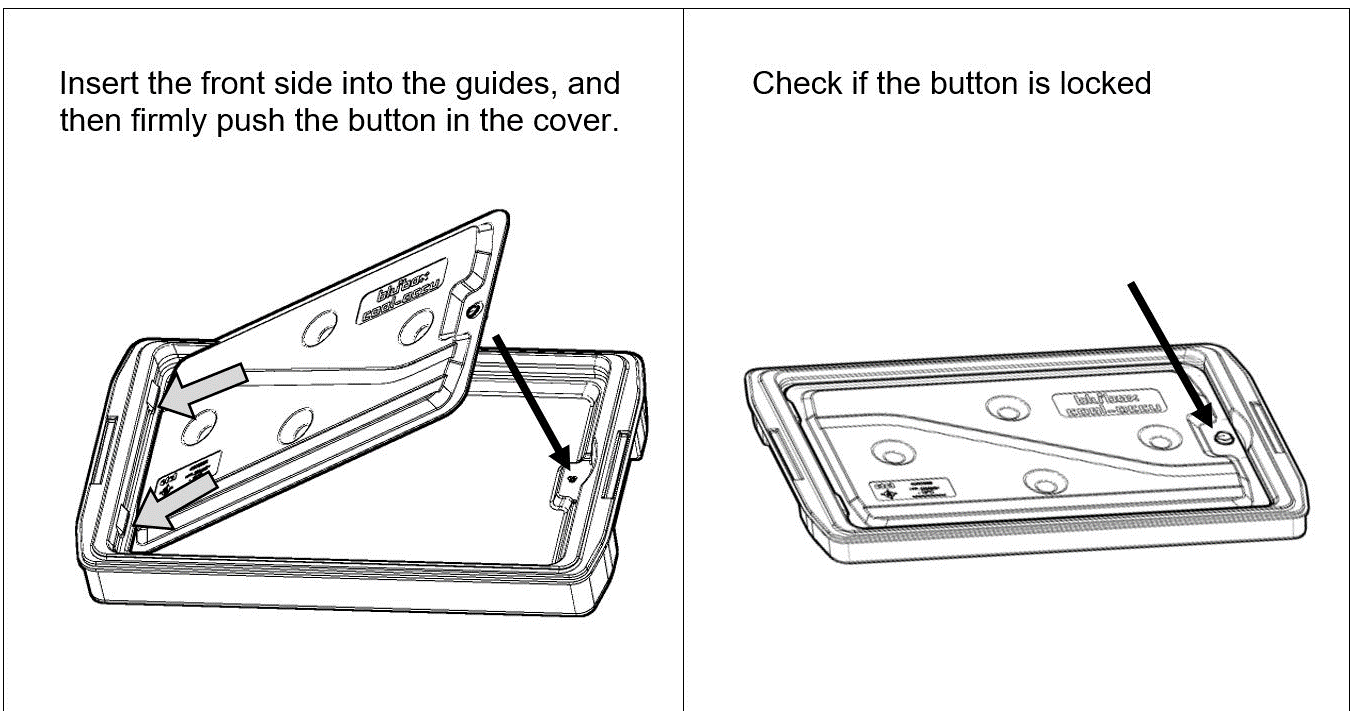
- 18°C ≤ to ≤ + 70°C

- Instructions

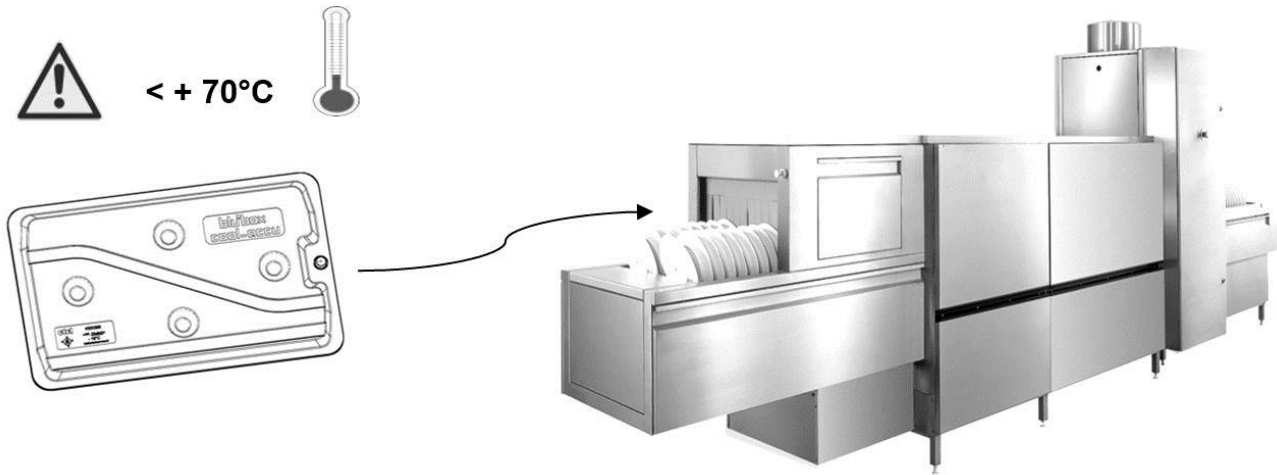
- Removal of the cool – accu Art.-no. 4000388



- Equipping the cool - accu



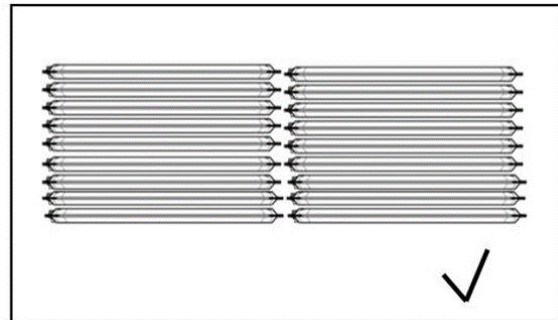
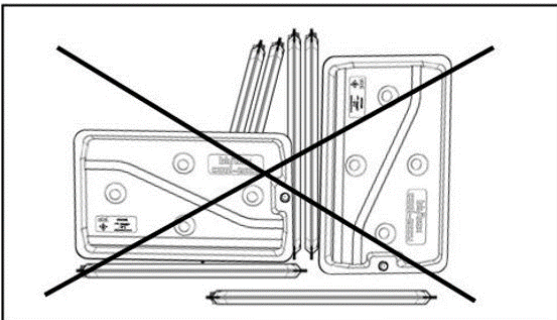
- **Cleaning**




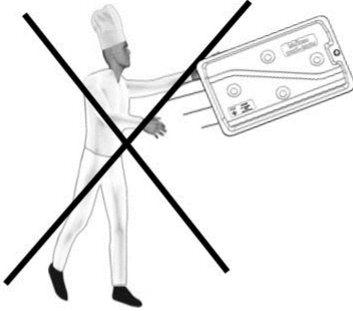
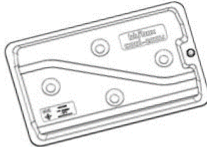
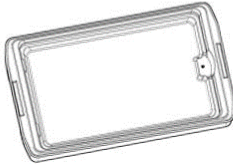
- The cool – accu are dishwasher-safe.
- For cleaning we recommend the use of etolit 3000 or 8000.
- Please **DO NOT** clean the cool – accu with a high-pressure cleaner.

- **Storage**

The cool - accu must be stored horizontally, correctly stacked on top of each other and must be kept in clean, dry rooms.

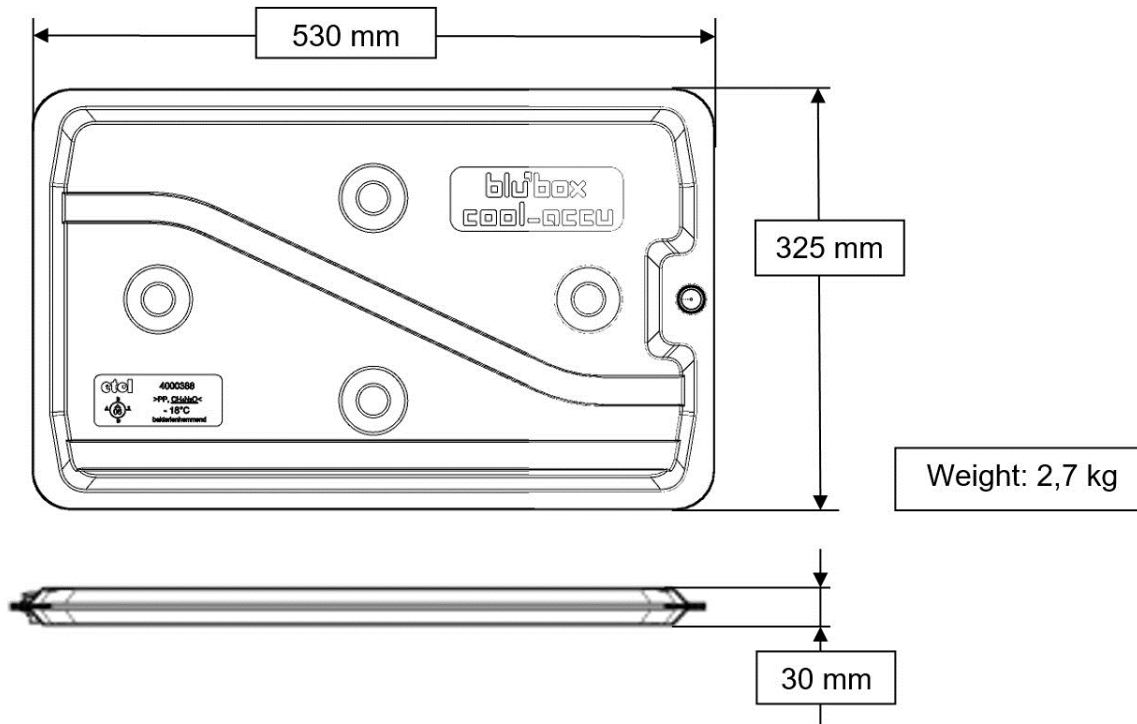


• Handling

 <p>Please DO NOT throws the articles!</p>		<p>cool-accu Art. no. 4000388</p>  <p>high lid Art. no. 664201677</p> 
--	---	---

• Technical data

Main dimensions and weights



- **Producer**



etol Eberhard Tripp GmbH • Allerheiligenstraße 12 • 77728 Oppenau • Germany
T. + 49 (0) 7804 410 www.bluline.de - info.bluline@etol.de

- **Notes**

Powerful products for commercial kitchens.
www.etol.de



etol Eberhard Tripp GmbH • Allerheiligenstraße 12 • 77728 Oppenau • Germany
T. +49 (0)7804 410 • www.bluline.de • info.bluline@etol.de