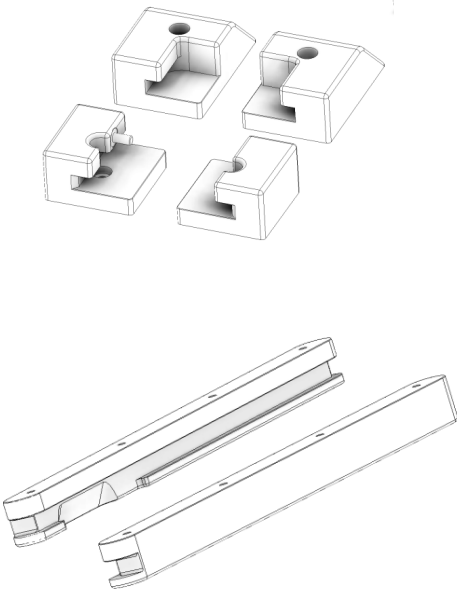
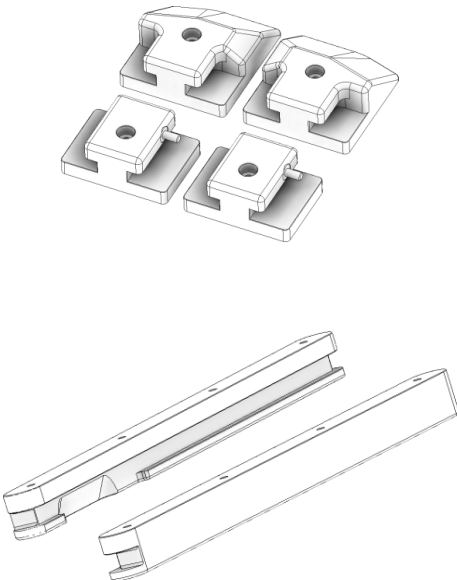
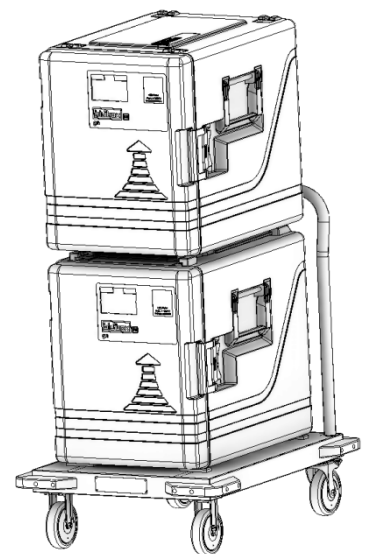


Original – User Manual

Stack Lock Fixtures

Scope of supply: 4 stack lock fixtures / 2 skids / 12 screws

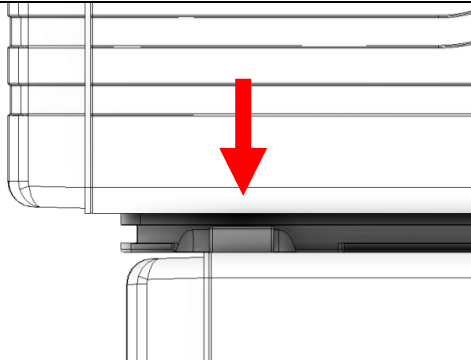
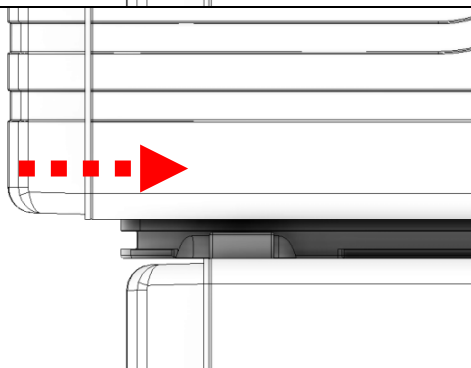
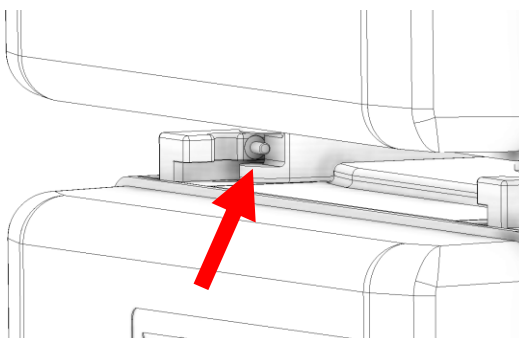
Stack lock fixtures for blu`box 52 gn and 52 gn hot	Stack lock fixtures for blu`box 52 gn/en and 52 gn/en hot
<p data-bbox="220 927 475 958">Art.-No. 4000514</p> 	<p data-bbox="746 927 1002 958">Art.-No. 4000379</p> 

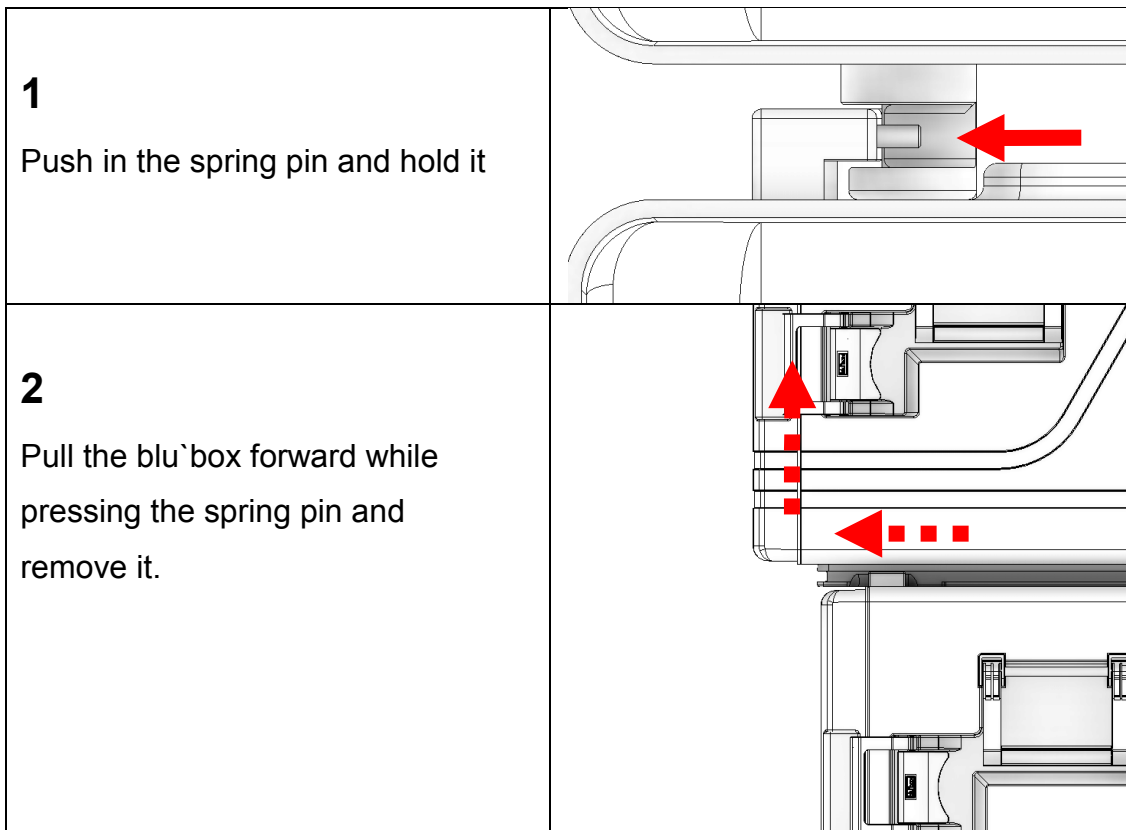


Due to the special form of the stack lock fixtures it is also possible to stack boxes of the series 26 on boxes top of the series 52 and transport it this way.

Handling according to the example of blu`box 52 gn

Fixing

<p>1</p> <p>Put on the blu`box at the centering chamfer</p>	
<p>2</p> <p>Insert the blu`box</p>	
<p>3</p> <p>Push the blu`box till the spring pin snaps</p>	

Separating**Producer**

etol Eberhard Tripp GmbH & Co. • Allerheiligenstraße 12 • 77728 Oppenau • Germany
T. + 49 (0) 7804 410 www.bluline.de - info.bluline@etol.de

Powerful products for commercial kitchens.
www.etol.de



etol Eberhard Tripp GmbH • Allerheiligenstraße 12 • 77728 Oppenau • Germany
T. +49 (0)7804 410 • www.bluline.de • info.bluline@etol.de